

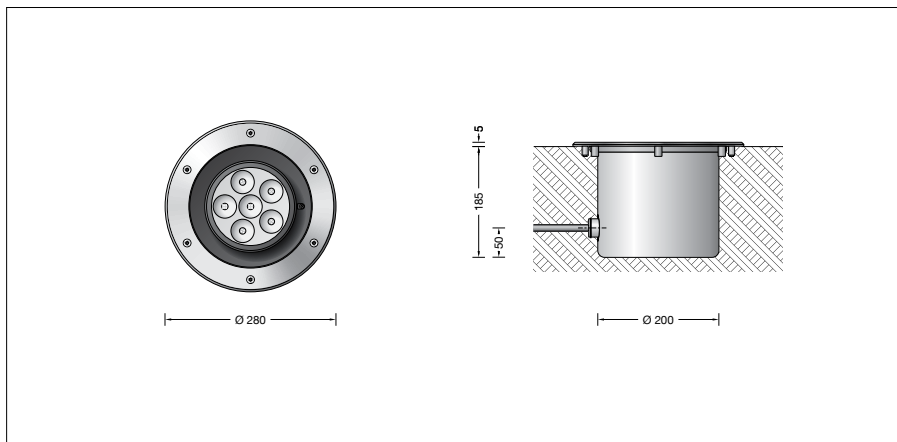
BEGA**84 385**

In-ground luminaire RGBW

IP 68

Project · Reference number

Date



Product data sheet

Application

LED floodlight with adjustable light distribution for additive colour mixing RGBW. For embedding in gravel, lawns, flower beds, or in compacted surfaces. Drive-over luminaire for vehicles with pneumatic tyres. The luminaire can be controlled by DALI colour light control (DT8, RGBWAF, xy). We recommend our BEGA Control system for this purpose.

Please note: Luminaire must not be used for installations in road lanes, where the fixture is exposed to a horizontal strain due to braking, acceleration and change of direction. The minimum distance to illuminated objects above the light distribution opening must be ≥ 0.5 m. For walk-through public areas, we recommend skid-blocking glass – see accessories.

Product description

Luminaire made of stainless steel
Steel grade no. 1.4301
Clear safety glass
Reflector surface made of pure aluminium
1,8 m water-resistant connecting cable 07RN8-F 5G 1[□] with implemented water stopper and 1.2 m PVC cable conduit
LED power supply unit
220-240 V \sim 0/50-60 Hz
DC 176-276 V
DALI controllable
A basic isolation exists between power cable and control line
Safety class I
Protection class IP 68 10 m
Dust-tight and water pressure tight
Maximum submersion depth 10 m
Not suitable for permanent operation under water
Pressure load 2,000 kg (20 kN)
Impact strength IK10
Protection against mechanical impacts < 20 joule
Maximum surface temperature 30 °C (measured according to EN 60598 of t_a 15 °C)
CE – Conformity mark
Weight: 5.9 kg

Lamp

Module connected wattage 21.3 W
Luminaire connected wattage 24.5 W
Rated temperature $t_a = 25$ °C
Ambient temperature $t_{a \max} = 25$ °C

Module designation LED-0533/RGBW
Luminaire luminous flux 1003 lm
Luminaire luminous efficiency 40,9 lm/W

Service life of the LED

max. ambient temperature $t_a = 25$ °C
– at 260,000h: L70B50

Light technique

In-ground floodlight with adjustable optical system.
Optical system 0-30° swivel-mounted in 3° steps and $\pm 180^\circ$ infinitely rotatable.
Narrow beam rotationally symmetrical light distribution. Half beam angle 20°
For special lighting tasks it is possible to change the narrow beam light cone into a wide beam or flat beam light distribution by using diffuser lenses.
For wide beam light distribution:
Diffuser lens **10047**
For flat beam light distribution:
Diffuser lens **10016**
Light cone $\pm 90^\circ$ rotatable.

Inrush current

Inrush current: 21 A / 275 μ s
Maximum number of luminaires of this type per miniature circuit breaker:
B 10A: 13 luminaires
B 16A: 21 luminaires
C 10A: 22 luminaires
C 16A: 35 luminaires

Article No. 84 385

When the glass is wet, there may be a risk of slipping. For walkable public areas, we recommend skid-blocking glass in accordance with DIN 51130 R13. With the additional specification **R** after the article number, we can supply all luminaires with skid-blocking glass. This increases the dispersion of the light distribution.

Accessories

14001088R Skid-blocking glass
BEGA skid-blocking glass with the highest rating R13 according to DIN 51130 can be used without restriction for all public areas.
Abrasion resistance according to EN ISO 10545-7 Class 3

Exchangeable lenses
10047 wide beam
10016 flat beam

70694 Installation housing made of stainless steel

Distribution box for installation in soil
70730 Distribution box with 7 cable entries
Connection terminals 5 x 4[□]
71053 Distribution box with 10 cable entries
Connection terminals 6 x 16[□]

A separate instructions for use can be provided upon request.