

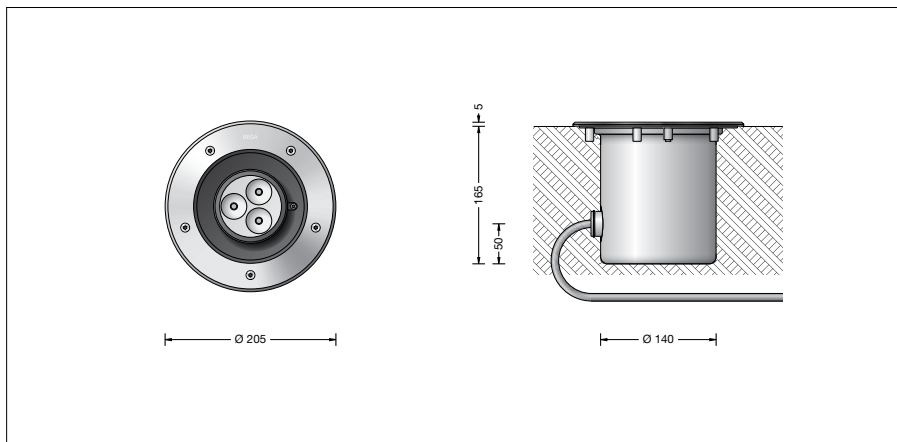
**BEGA****84 384**

In-ground luminaire RGBW

IP 68

Project · Reference number

Date



## Product data sheet

**Application**

LED floodlight with adjustable light distribution for additive colour mixing RGBW. For embedding in gravel, lawns, flower beds, or in compacted surfaces. Drive-over luminaire for vehicles with pneumatic tyres. The luminaire can be controlled by DALI colour light control (DT8, RGBWAF, xy). We recommend our BEGA Control system for this purpose.

**Please note:**

Luminaire must not be used for installation in road lanes, where the fixture is exposed to a horizontal strain due to braking, acceleration and change of direction. For walk-through public areas, we recommend skid-blocking glass – see accessories.

**Product description**

Luminaire made of stainless steel  
Steel grade no. 1.4301  
Clear safety glass  
Reflector surface made of pure aluminium  
1,8 m water-resistant connecting cable  
07RN8-F 5 G 1<sup>□</sup> with implemented water stopper and 1.2 m PVC cable conduit  
LED power supply unit  
220-240 V ~ 0/50-60 Hz  
DC 176-280 V  
DALI controllable  
A basic isolation exists between power cable and control line  
Safety class I  
Protection class IP 68 10 m  
Dust-tight and water pressure tight  
Maximum submersion depth 10 m  
Not suitable for permanent operation under water  
Pressure load 2,000 kg (20 kN)  
Impact strength IK10  
Protection against mechanical impacts < 20 joule  
Maximum surface temperature 35 °C (measured according to EN 60598 of  $t_a$  15 °C)  
**CE** – Conformity mark  
Weight: 3.3 kg

**Lamp**

Module connected wattage 10.8 W  
Luminaire connected wattage 14.5 W  
Rated temperature  $t_a = 25$  °C  
Ambient temperature  $t_{a \max} = 30$  °C

Module designation LED-0532/RGBW  
Luminaire luminous flux 547 lm  
Luminaire luminous efficiency 37,7 lm/W

**Service life of the LED**

Ambient temperature  $t_a = 25$  °C  
– at 260,000h: L70B50

max. ambient temperature  $t_a = 30$  °C  
– at 230,000h: L70B50

**Light technique**

In-ground floodlight with adjustable optical system.  
Optical system 0-30° swivel-mounted in 3° steps and  $\pm 180^\circ$  infinitely rotatable.  
Narrow beam rotationally symmetrical light distribution. Half beam angle 22°  
For special lighting tasks it is possible to change the narrow beam light cone into a wide beam or flat beam light distribution by using diffuser lenses.  
For wide beam light distribution:  
Diffuser lens **10043**  
For flat beam light distribution:  
Diffuser lens **10014**  
Light cone  $\pm 90^\circ$  rotatable.

**Inrush current**

Inrush current: 5 A / 50  $\mu$ s  
Maximum number of luminaires of this type per miniature circuit breaker:  
B 10A: 31 luminaires  
B 16A: 50 luminaires  
C 10A: 52 luminaires  
C 16A: 85 luminaires

**Article No. 84 384**

When the glass is wet, there may be a risk of slipping. For walkable public areas, we recommend skid-blocking glass in accordance with DIN 51130 R13. With the additional specification **R** after the article number, we can supply all luminaires with skid-blocking glass. This increases the dispersion of the light distribution.

**Accessories**

**14000645R** Skid-blocking glass  
BEGA skid-blocking glass with the highest rating R13 according to DIN 51130 can be used without restriction for all public areas.  
Abrasion resistance according to EN ISO 10545-7 Class 3

## Exchangeable lenses

**10043** wide beam  
**10014** flat beam

**70680** Installation housing made of stainless steel

## Distribution box for installation in soil

**70730** Distribution box with 7 cable entries  
Connection terminals 5 x 4<sup>□</sup>  
**71053** Distribution box with 10 cable entries  
Connection terminals 6 x 16<sup>□</sup>

For the accessories a separate instructions for use can be provided upon request.