

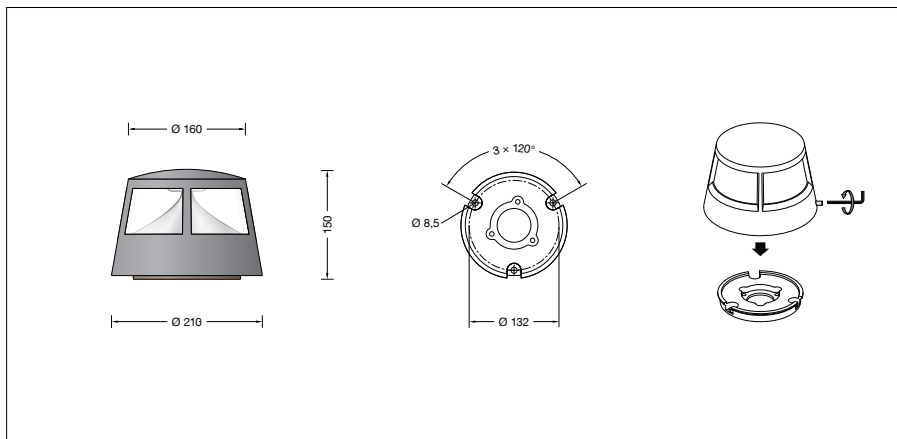
BEGA**84 357**

Surface-mounted luminaire

IP 67

Project · Reference number

Date



Product data sheet

Application

LED luminaire for glare-free illumination of floor surfaces from an extremely low mounting height. For the illumination of forecourts, gateways and ways in private and public facilities.

Product description

Luminaire made of aluminium alloy, aluminium and stainless steel
Crystal glass
All-side light output 360°
Luminaire with mounting plate for bolting onto an anchorage unit or to a connecting housing
3 fixing holes \varnothing 8.5 mm
Angle 120° · Pitch circle \varnothing 70 mm and 132 mm
1,8 m water-resistant connecting cable 07RN8-F 5 G 1[□] with implemented water stopper and 1.2 m PVC cable conduit
LED power supply unit
220-240 V \sim 0/50-60 Hz
DC 176-276 V
DALI controllable
A basic isolation exists between power cable and control line
BEGA Thermal Control®
Temporary thermal regulation to protect temperature-sensitive components without switching off the luminaire
Safety class I
Protection class IP 67
Dust-tight and protection against temporary immersion
Impact strength IK07
Protection against mechanical impacts < 2 joule
CE – Conformity mark
Weight: 3.6 kg

Lamp

Module connected wattage 20 W
Luminaire connected wattage 22.5 W
Rated temperature $t_a = 25$ °C
Ambient temperature $t_{a \max} = 40$ °C

84 357 K3

Module designation LED-0959/830
Colour temperature 3000 K
Colour rendering index CRI > 80
Module luminous flux 2880 lm
Luminaire luminous flux 1537 lm
Luminaire luminous efficiency 68,3 lm/W

84 357 K4

Module designation LED-0959/840
Colour temperature 4000 K
Colour rendering index CRI > 80
Module luminous flux 3100 lm
Luminaire luminous flux 1654 lm
Luminaire luminous efficiency 73,5 lm/W

Service life · Ambient temperature

Rated temperature $t_a = 25$ °C
LED psu: > 50,000 h
LED module: > 200,000 h (L 80 B 50)
100,000 h (L 90 B 50)

Ambient temperature $t_{a \max} = 40$ °C (100 %)

LED psu: 50,000 h
LED module: > 200,000 h (L 80 B 50)
100,000 h (L 90 B 50)

Inrush current

Inrush current: 12 A / 24.2 μ s
Maximum number of luminaires of this type per miniature circuit breaker:
B 10A: 50 luminaires
B 16A: 50 luminaires
C 10A: 50 luminaires
C 16A: 50 luminaires

Light technique

Luminaire data for the light planning program DIALux for outdoor lighting, street lighting and indoor lighting as well as luminaire data in EULUMDAT- and IES-format you will find on the BEGA web page www.bega.com.

Article No. 84 357

LED colour temperature optionally 3000 K or 4000 K
3000 K – Article number + **K3**
4000 K – Article number + **K4**

Colour graphite or silver
graphite – article number
silver – article number + **A**

Accessory

70 896 Anchorage unit
Anchorage unit with mounting flange made of hot-dip galvanised steel. Total length 500 mm. 3 stainless steel fixing screws M 8. Pitch circle \varnothing 132 mm.

70 753 Connection housing
made of stainless steel for installation in ground surfaces

70 730 Distribution box
The distribution box is meant for installation in the soil and allows a junction from the supply cable to the luminaire and through-wiring to the next luminaire.
After the electrical connection the distribution box is filled up with gel and closed.
See the separate instructions for use.

Light distribution