

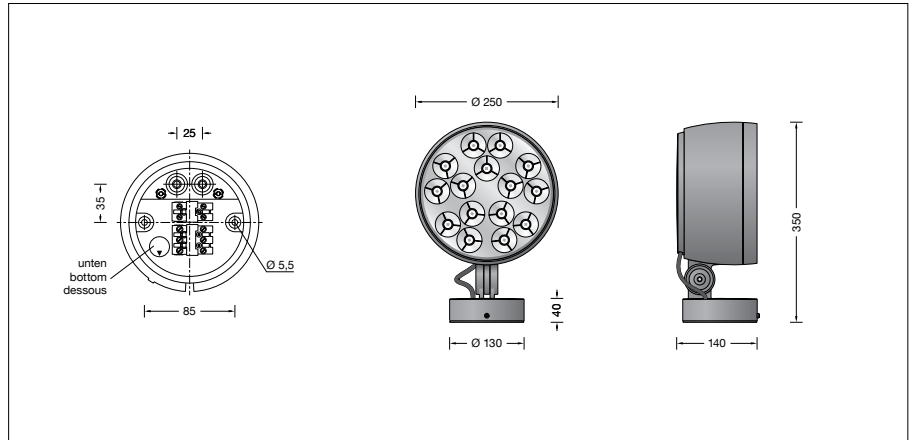
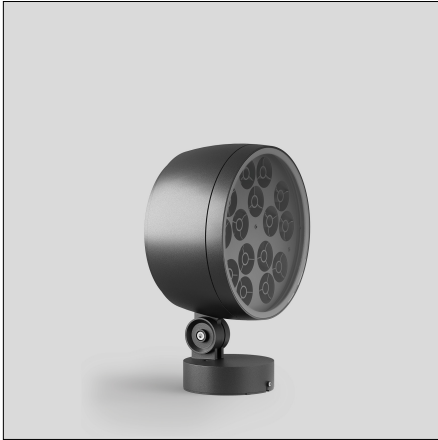
**BEGA****84 333**

Performance floodlight

IP 65

Project · Reference number

Date



## Product data sheet

### Product description

Luminaire made of aluminium alloy, aluminium and stainless steel  
 BEGA Unidure® coating technology  
 Clear safety glass · Silicone gasket  
 Reflector surface made of pure aluminium  
 Inside louvre  
 made of glass-fibre reinforced polyamide  
 Rotation range of floodlight 350°  
 Swivel range -30°/+100°  
 Mounting box with 2 fixing holes  
 ø 5.5 mm · 85 mm spacing  
 2 cable entries for through-wiring of mains  
 supply cable ø 7-10.5 mm, max. 5G1.5<sup>□</sup>  
 Connecting terminal 2.5<sup>□</sup>  
 with plug connection  
 Earth conductor connection  
 LED power supply unit  
 220-240 V ~ 0/50-60 Hz  
 DC 176-280 V  
 During DC operation the LED power  
 is reduced to 15 %  
 DALI controllable  
 A basic isolation exists between power cable  
 and control line  
 BEGA Thermal Control®  
 Temporary thermal regulation to protect  
 temperature-sensitive components without  
 switching off the luminaire  
 Safety class I  
 Protection class IP 65  
 Dust-tight and protection against water jets  
**CE** – Conformity mark  
 Wind catching area: 0.055 m<sup>2</sup>  
 Weight: 5.5 kg

### Application

LED performance floodlight with mounting box  
 in compact design.  
 For a variety of interior and exterior lighting  
 applications.

### Lamp

Module connected wattage 54 W  
 Luminaire connected wattage 60 W  
 Rated temperature  $t_a = 25\text{ °C}$   
 Ambient temperature  $t_{a\text{ max}} = 30\text{ °C}$

### 84 333 K3

Module designation 5x LED-0965/830  
 Colour temperature 3000 K  
 Colour rendering index CRI > 80  
 Module luminous flux 7775 lm  
 Luminaire luminous flux 2036 lm  
 Luminaire luminous efficiency 33,9 lm/W

### 84 333 K4

Module designation 5x LED-0965/840  
 Colour temperature 4000 K  
 Colour rendering index CRI > 80  
 Module luminous flux 8000 lm  
 Luminaire luminous flux 2094 lm  
 Luminaire luminous efficiency 34,9 lm/W

### Light technique

Floodlight with narrow beam rotationally  
 symmetrical light distribution with integrated  
 louvre for stray light suppression.  
 Half beam angle 5°  
 Luminaire data for the light planning program  
 DIALux for outdoor lighting, street lighting and  
 indoor lighting, as well as luminaire data in  
 EULUMDAT and IES format are available on the  
 BEGA website at [www.bega.com](http://www.bega.com).

### Inrush current

Inrush current: 26 A / 264  $\mu\text{s}$   
 Maximum number of luminaires of this  
 type per miniature circuit breaker:  
 B 10A: 10 luminaires  
 B 16A: 16 luminaires  
 C 10A: 16 luminaires  
 C 16A: 26 luminaires

### Service life · Ambient temperature

Rated temperature  $t_a = 25\text{ °C}$   
 LED psu: > 50,000 h  
 LED module: > 200,000 h (L.80 B50)  
 100,000 h (L.90 B50)  
 Ambient temperature  $t_{a\text{ max}} = 30\text{ °C}$  (100 %)  
 LED psu: 50,000 h  
 LED module: > 200,000 h (L.80 B50)  
 100,000 h (L.90 B50)

Ambient temperature  $t_{a\text{ max}} = 50\text{ °C}$  (57 %)

LED psu: 50,000 h  
 LED module: > 50,000 h (L.70 B50)

BEGA Thermal Control® protects temperature-  
 sensitive luminaire components by  
 temporarily limiting the nominal power at high  
 temperatures.

### Article No. 84 333

LED colour temperature optionally 3000K  
 or 4000K

3000 K – Article number + **K3**  
 4000 K – Article number + **K4**

Colour graphite or silver  
 graphite – article number  
 silver – article number + **A**

### Accessories

**71 072** Shield

For the accessories a separate instructions  
 for use can be provided upon request.

### Light distribution

