

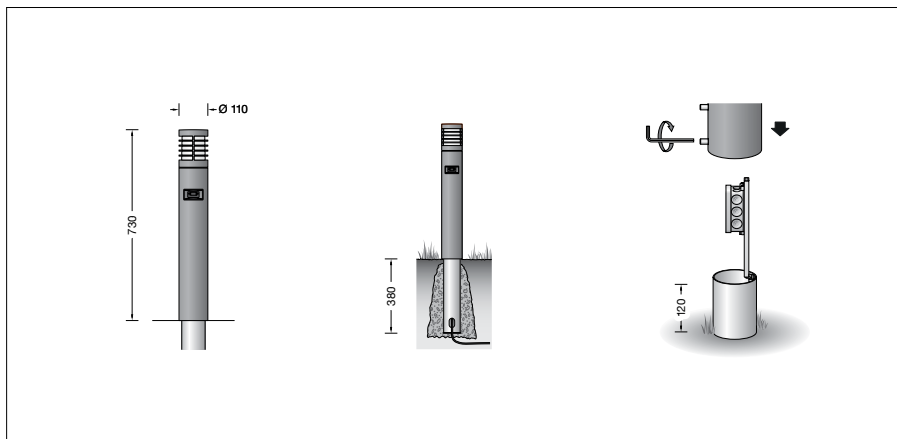
BEGA**84 326**

Garden and pathway luminaire

IP 65

Project · Reference number

Date



Product data sheet

Product description

Luminaire made of cast aluminium, aluminium and stainless steel
Opal glass with screw neck
Silicone gasket
Luminaire with anchorage unit for fixing in the soil
The anchorage unit is made of galvanised steel according to EN ISO 1461
Mounting bracket with connection box for through-wiring up to $3 \times 2,5$ [□]
Passive infrared motion sensor (PIR)
Range up to 12 m
Opening angle $120^\circ - 150^\circ$
Minimum temperature difference between moving object and environment 4°C
Object speed 1 m/s
Adjustable sensitivity of the motion sensor (inertia)
Shut-down delay adjustable between 5 s and 240 min
Light sensor: adjustable value range from darkness to daylight
Fixed hysteresis for suppression of rapid brightness fluctuations
Transmission frequency range:
2400 - 2483.5 MHz
Maximum transmission output: 10 mW
Luminaire switchable via relay output (on/off)
Relay contact with a switching capacity of 2300 W · 10 A
Please note the starting current of the switching loads – max. 100 A
Ambient temperature: -25°C to $+55^\circ\text{C}$
LED power supply unit
Starting current: 8 A (112 μs)
220-240 V \sim 50-60 Hz
Safety class I
Protection class IP 65
Dust-tight and protection against water jets
Impact strength IK04
Protection against mechanical impacts < 0.5 joule
CE – Conformity mark
Weight: 5.4 kg

Application

Unshielded LED garden and path luminaire with safety guard. Light exit 360° .
With hand-blown, three-ply opal glass and pleasantly uniform light effect for effective illumination in private gardens.
The integrated passive infrared motion and light sensor responds to heat radiation and activates in case of human or animal movement in the vicinity of the sensor.
Configuration is done via a smartphone using the free BEGA Tool app.

Lamp

Module connected wattage	3.9 W
Luminaire connected wattage	5.4 W
Rated temperature	$t_a = 25^\circ\text{C}$
Ambient temperature	$t_{a \max} = 45^\circ\text{C}$

On request we can offer you modifications for environments with higher temperatures as a customized product.

84 326 K3

Module designation	LED-0794/830
Colour temperature	3000 K
Colour rendering index	CRI > 80
Module luminous flux	750 lm
Luminaire luminous flux	190 lm
Luminaire luminous efficiency	35,2 lm/W

84 326 K4

Module designation	LED-0794/840
Colour temperature	4000 K
Colour rendering index	CRI > 80
Module luminous flux	770 lm
Luminaire luminous flux	195 lm
Luminaire luminous efficiency	36,1 lm/W

Inrush current

Inrush current: 7 A / 112 μs
Maximum number of luminaires of this type per miniature circuit breaker:
B 10A: 38 luminaires
B 16A: 61 luminaires
C 10A: 64 luminaires
C 16A: 102 luminaires

Service life · Ambient temperature

Rated temperature $t_a = 25^\circ\text{C}$	
LED psu:	> 50,000 h
LED module:	> 200,000 h (L80B50)
	100,000 h (L90B50)

Ambient temperature $t_{a \max} = 45^\circ\text{C}$ (100 %)

LED psu:	50,000 h
LED module:	97,000 h (L80B50)
	100,000 h (L70B50)

Light technique

Luminaire data for the light planning program DIALux for outdoor lighting, street lighting and indoor lighting as well as luminaire data in EULUMDAT- and IES-format you will find on the BEGA web page www.bega.com.
Recommended light point interval 4.5 m

Article No. 84 326

LED colour temperature optionally 3000K or 4000K
3000 K – Article number + **K3**
4000 K – Article number + **K4**

Colour graphite or silver
graphite – article number
silver – article number + **A**

Light distribution