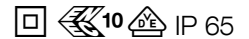


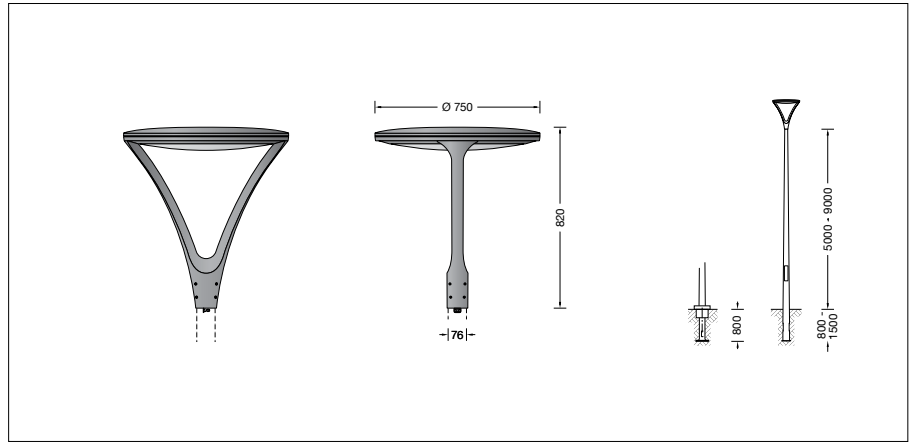
BEGA**84 306**

Pole top luminaire



Project · Reference number

Date



Product data sheet

Application

LED pole top luminaire with asymmetrical flat beam light distribution.
For mounting heights 5000 - 9000 mm.

Product description

Luminaire made of aluminium alloy, aluminium and stainless steel
Synthetic cover with optical structure
Silicone gasket
Reflector surface made of pure aluminium
For pole top \varnothing 76 mm
Slip fitter insert depth 137 mm
Connecting cable X05BQ-F 4 x 1[□]
Cable length 10 m
LED power supply unit
220-240 V \approx 0/50-60 Hz
DC 176-280 V
During DC operation the LED power is reduced to 15 %
DALI controllable
A basic isolation exists between power cable and control line
Safety class II
Protection class IP 65
Dust-tight and protection against water jets
Impact strength IK03
Protection against mechanical impacts < 0.35 joule
 – Safety mark
 – Conformity mark
Horizontal wind catching area: 0.15 m²
Weight: 27.6 kg

Lamp

Module connected wattage 100.8 W
Luminaire connected wattage 112 W
Rated temperature $t_a = 25$ °C
Ambient temperature $t_{a \max} = 40$ °C

84 306 K3

Module designation LED-0952/830 + LED-0953/830
Colour temperature 3000 K
Colour rendering index CRI > 80
Module luminous flux 13380 lm
Luminaire luminous flux 8282 lm
Luminaire luminous efficiency 73,9 lm/W

84 306 K4

Module designation LED-0952/840 + LED-0953/840
Colour temperature 4000 K
Colour rendering index CRI > 80
Module flux 13380 lm
Luminaire luminous flux 8272 lm
Luminaire luminous efficiency 73,9 lm/W

Service life · Ambient temperature

Rated temperature $t_a = 25$ °C
LED psu: > 50,000 h
LED module: 137,000 h (L.80 B.50)
100,000 h (L.80 B.50)

Ambient temperature $t_{a \max} = 40$ °C (100 %)

LED psu: 50,000 h
LED module: 56,000 h (L.80 B.50)
85,000 h (L.70 B.50)

Ambient temperature $t_{a \max} = 50$ °C (60 %)

LED psu: 50,000 h
LED module: 50,000 h

BEGA Thermal Control® protects temperature-sensitive luminaire components by temporarily limiting the nominal power at high temperatures.

Inrush current

Inrush current: 45 A / 264 μ s
Maximum number of luminaires of this type per miniature circuit breaker:
B 10A: 5 luminaires
B 16A: 8 luminaires
C 10A: 8 luminaires
C 16A: 13 luminaires

Light technique

Luminaire data for the light planning program DIALux for outdoor lighting, street lighting and indoor lighting as well as luminaire data in EULUMDAT- and IES-format you will find on the BEGA web page www.bega.com.

Article No. 84 306

LED colour temperature optionally 3000 K or 4000 K
3000 K – Article number + **K3**
4000 K – Article number + **K4**

Colour graphite or silver
graphite – article number
silver – article number + **A**

Accessories

For this luminaire we recommend the following BEGA luminaire poles:

Tapered steel poles without visible welding seam - hot-dip galvanised and lacquered with access door and C-clamp

| | | |
|---------------|------------------------|-----------|
| 70 886 | Pole with anch.section | H 5000 mm |
| 70 834 | Pole with anch.section | H 6000 mm |
| 70 835 | Pole with anch.section | H 7000 mm |
| 70 836 | Pole with anch.section | H 8000 mm |
| 70 836 | Pole with anch.section | H 9000 mm |

Tapered steel luminaire poles longitudinally seam-welded · hot-dip galvanised and lacquered with access door and C rail

| | | |
|---------------|------------------------|-----------|
| 71 002 | Pole with anch.section | H 6000 mm |
| 71 004 | Pole with anch.section | H 7000 mm |
| 71 006 | Pole with anch.section | H 8000 mm |
| 71 008 | Pole with anch.section | H 9000 mm |

For suitable connection boxes please see the instructions for use of the luminaire poles.

Light distribution