

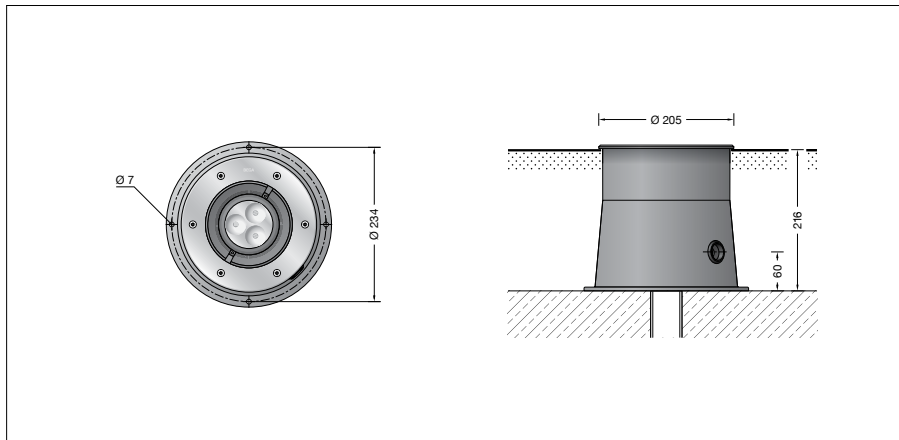
BEGA**84 301**

In-ground luminaire

IP 67

Project · Reference number

Date



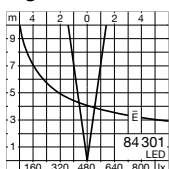
Product data sheet

Product description

Luminaires and installation housings made of highly corrosion-resistant aluminium
 BEGA Tricoat® coating technology
 Cover ring made of stainless steel
 Steel grade no. 1.4301
 Ring made of glass fibre reinforced synthetic material
 Clear safety glass
 Reflector surface made of pure aluminium
 Optical system 0-25° swivel-mounted and infinitely rotatable
 Recess housing with cable entry for cable conduit, max ø 20 mm
 1,8 m water-resistant connecting cable 07RN8-F 5 G 1[□] with implemented water stopper and 1.2 m PVC cable conduit
 LED power supply unit
 220-240 V ~ 0/50-60 Hz
 DC 170-280 V
 DALI controllable
 A basic isolation exists between power cable and control line
 BEGA Thermal Control®
 Temporary thermal regulation to protect temperature-sensitive components without switching off the luminaire
 Safety class I
 Protection class IP 67
 Dust-tight and protection against temporary immersion
 Pressure load 5,000 kg (~50 kN)
 Impact strength IK10
 Protection against mechanical impacts < 20 joule
CE – Conformity mark

Inrush current

Inrush current: 5 A / 50 µs
 Maximum number of luminaires of this type per miniature circuit breaker:
 B10A: 31 luminaires
 B16A: 50 luminaires
 C10A: 52 luminaires
 C16A: 85 luminaires

Light distribution**Lamp**

Module connected wattage 16.7 W
 Luminaire connected wattage 19.2 W
 Rated temperature $t_a = 25$ °C
 Ambient temperature $t_{a \max} = 40$ °C
 Service life criteria 50 000 h/L₇₀

On request we can offer you modifications for environments with higher temperatures as a customized product.

84 301 K3

Module designation LED-1013/830
 Colour temperature 3000 K
 Colour rendering index CRI > 80
 Module luminous flux 2800 lm
 Luminaire luminous flux* 1556 lm
 Luminaire luminous efficiency* 81 lm/W

84 301 R K3

Module designation LED-1013/830
 Colour temperature 3000 K
 Colour rendering index CRI > 80
 Module luminous flux 2800 lm

84 301 K4

Module designation LED-1013/840
 Colour temperature 4000 K
 Colour rendering index CRI > 80
 Module luminous flux 2880 lm
 Luminaire luminous flux* 1600 lm
 Luminaire luminous efficiency* 83,3 lm/W

84 301 R K4

Module designation LED-1013/840
 Colour temperature 4000 K
 Colour rendering index CRI > 80
 Module luminous flux 2880 lm

* preliminary data

Accessories

14001405R Skid-blocking glass in accordance with EN ISO 51130 R13
 Surface abrasion in accordance with EN ISO 10545-7:
 Category II
 Anti-slip protection in accordance with DIN 51097 Class C

Distribution box for installation in soil
70 730 Distribution box with 7 cable entries
 Connection terminals 5 x 4[□]
71 053 Distribution box with 10 cable entries
 Connection terminals 6 x 16[□]

A separate instructions for use can be provided upon request.

Application

In-ground floodlight with swivel-mounted and rotatable optical system. Adjustable tilt angle of the reflector allows optionally a symmetrical or asymmetrical light distribution.
 For recessed mounting in compacted surfaces, paths and open areas.
 Drive-over luminaire for vehicles with pneumatic tyres.
 For pressure load up to 5,000 kg (~50 kN).

Please note:

Luminaire must not be used for installation in road lanes, where the fixture is exposed to a horizontal strain due to braking, acceleration and change of direction.
 For walk-through public areas, we recommend skid-blocking glass
 – see accessories.

Light technique

In-ground floodlight with adjustable optical system.
 Optical system 0-25° swivel-mounted and infinitely rotatable.
 Narrow beam rotationally symmetrical light distribution. Half beam angle 17°
 For special lighting tasks it is possible to change the narrow beam light cone into a wide beam or flat beam light distribution by using diffuser lenses.
 For wide beam light distribution:
 Diffuser lens **10 043**
 For flat beam light distribution:
 Diffuser lens **10 014**
 Light cone ± 90° rotatable.

Article No. 84 301

LED colour temperature optionally 3000K or 4000K
 3000 K – Article number + **K3**
 4000 K – Article number + **K4**

We supply this luminaire with skid-blocking glass which is denoted by **R** after the article number.