

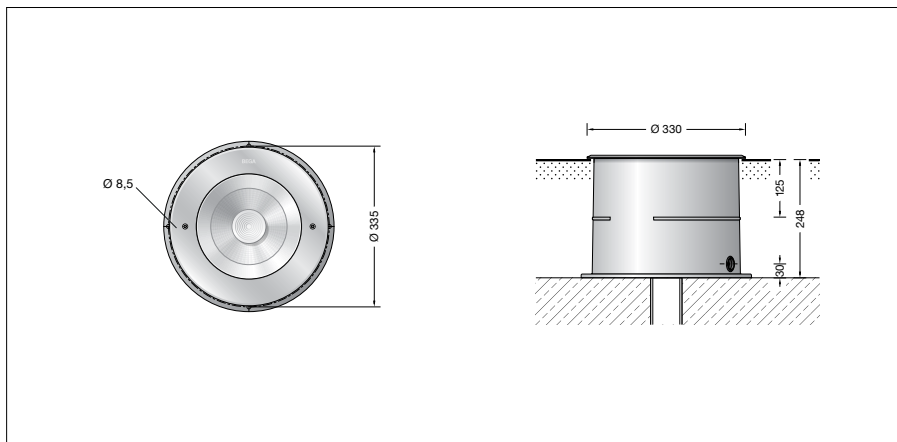
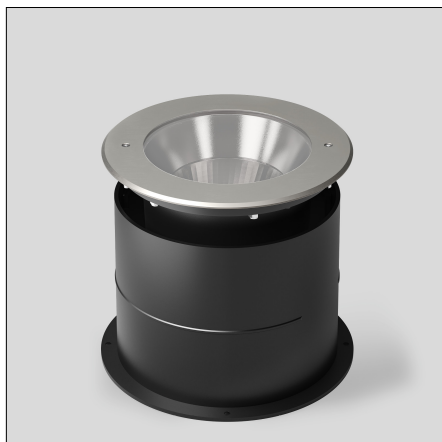
**BEGA****84 296**

In-ground luminaire

IP 67

Project · Reference number

Date



## Product data sheet

**Product description**

Luminaires and installation housings made of highly corrosion-resistant aluminium  
 BEGA Tricoat® coating technology  
 Cover ring made of stainless steel  
 Steel grade no. 1.4301  
 Ring made of glass fibre reinforced synthetic material  
 Clear safety glass  
 Reflector surface made of pure aluminium  
 Optical silicone lens · BEGA Hybrid Optics®  
 Recess housing with cable entry for cable conduit, max  $\varnothing$  20 mm  
 1,8 m water-resistant connecting cable 07RN8-F 5 G 1<sup>□</sup> with implemented water stopper and 1.2 m PVC cable conduit  
 LED power supply unit  
 220-240 V  $\sim$  0/50-60 Hz  
 DC 176-280 V  
 DALI controllable  
 A basic isolation exists between power cable and control line  
 Safety class I  
 Protection class IP 67  
 Dust-tight and protection against temporary immersion  
 Pressure load 5,000 kg (~50 kN)  
 Impact strength IK10  
 Protection against mechanical impacts < 20 joule  
**CE** – Conformity mark

**Application**

LED floodlight with symmetrical light distribution. For recessed mounting in compacted surfaces, paths and places.  
 Drive-over luminaire for vehicles with pneumatic tyres.

**Please note:**

Luminaire must not be used for installation in road lanes, where the fixture is exposed to a horizontal strain due to braking, acceleration and change of direction.  
 For walk-through public areas, we recommend skid-blocking glass – see accessories.

**Lamp**

Module connected wattage	46.7 W
Luminaire connected wattage	52.4 W
Rated temperature	$t_a = 25$ °C
Service life criteria	50 000 h/L <sub>70</sub>

**84 296 K3**

Module designation	LED-0785/830
Colour temperature	3000 K
Colour rendering index	CRI > 80
Module luminous flux	7600 lm
Luminaire luminous flux*	4875 lm
Luminaire luminous efficiency*	93 lm/W

**84 296 K4**

Module designation	LED-0785/840
Colour temperature	4000 K
Colour rendering index	CRI > 80
Module luminous flux	7795 lm
Luminaire luminous flux*	5000 lm
Luminaire luminous efficiency*	95,4 lm/W

\* preliminary data

**Inrush current**

Inrush current: 26 A / 264  $\mu$ s  
 Maximum number of luminaires of this type per miniature circuit breaker:  
 B 10A: 10 luminaires  
 B 16A: 16 luminaires  
 C 10A: 16 luminaires  
 C 16A: 26 luminaires

**Lighting technology**

Half beam angle 20°  
 Luminaire data for the light planning program DIALux for outdoor lighting, street lighting and interior lighting as well as luminaire data in EULUMDAT and IES format are available on our website [www.bega.com](http://www.bega.com).

**Article No. 84 296**

LED colour temperature optionally 3000 K or 4000 K  
 3000 K – Article number + **K3**  
 4000 K – Article number + **K4**

We supply this luminaire with skid-blocking glass which is denoted by **R** after the article number.

**Accessories**

**14001415R** Skid-blocking glass in accordance with EN ISO 51130 R13  
 Surface abrasion in accordance with EN ISO 10545-7:  
 Category II  
 Anti-slip protection in accordance with DIN 51097 Class C

Distribution box for installation in soil  
**70 730** Distribution box with 7 cable entries  
 Connection terminals 5 x 4<sup>□</sup>  
**71 053** Distribution box with 10 cable entries  
 Connection terminals 6 x 16<sup>□</sup>

A separate instructions for use can be provided upon request.

**Light distribution**