

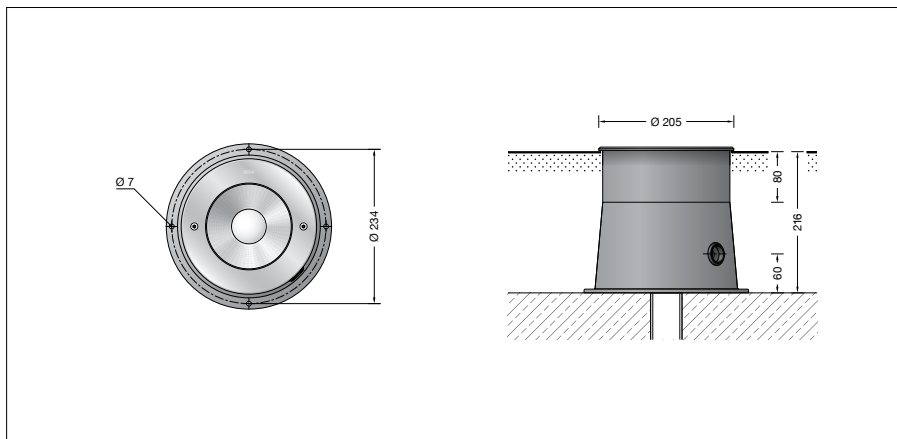
BEGA**84 294**

In-ground luminaire

IP 67

Project · Reference number

Date



Product data sheet

Product description

Luminaires and installation housings made of highly corrosion-resistant aluminium
 BEGA Tricoat® coating technology
 Cover ring made of stainless steel
 Steel grade no. 1.4301
 Ring made of glass fibre reinforced synthetic material
 Clear safety glass
 Reflector surface made of pure aluminium
 Optical silicone lens
 Recess housing with cable entry for cable conduit, max \varnothing 20 mm
 1,8 m water-resistant connecting cable
 07RN8-F 5 G 1[□] with implemented water stopper and 1.2 m PVC cable conduit
 LED power supply unit
 220-240 V \sphericalangle 0/50-60 Hz
 DC 170-280 V
 DALI controllable
 A basic isolation exists between power cable and control line
 BEGA Thermal Control®
 Temporary thermal regulation to protect temperature-sensitive components without switching off the luminaire
 Safety class I
 Protection class IP 67
 Dust-tight and protection against temporary immersion
 Pressure load 5,000 kg (~50 kN)
 Impact strength IK10
 Protection against mechanical impacts < 20 joule
CE – Conformity mark
 Weight: 5.3 kg

Application

LED floodlight with symmetrical light distribution. For recessed mounting in compacted surfaces, paths and places.
 Drive-over luminaire for vehicles with pneumatic tyres.

Please note:

Luminaire must not be used for installation in road lanes, where the fixture is exposed to a horizontal strain due to braking, acceleration and change of direction.

For walk-through public areas, we recommend skid-blocking glass – see accessories.

Lamp

Module connected wattage	16.4 W
Luminaire connected wattage	18.4 W
Rated temperature	$t_a = 25\text{ °C}$
Ambient temperature	$t_{a\text{ max}} = 45\text{ °C}$

84 294 K3

Module designation	LED-1010/830
Colour temperature	3000 K
Colour rendering index	CRI > 80
Module luminous flux	2295 lm
Luminaire luminous flux	1684 lm
Luminaire luminous efficiency	91,5 lm/W

84 294 K4

Module designation	LED-1010/840
Colour temperature	4000 K
Colour rendering index	CRI > 80
Module luminous flux	2295 lm
Luminaire luminous flux	1684 lm
Luminaire luminous efficiency	91,5 lm/W

Service life · Ambient temperature

Rated temperature $t_a = 25\text{ °C}$	
LED psu:	> 50,000h
LED module:	176,000h (L.80 B.50)
	100,000h (L.90 B.50)

Ambient temperature $t_{a\text{ max}} = 45\text{ °C}$ (100 %)

LED psu:	50,000h
LED module:	53,000h (L.80 B.50)
	80,000h (L.70 B.50)

Inrush current

Inrush current: 5 A / 50 μ s

Maximum number of luminaires of this type per miniature circuit breaker:

B 10A:	31 luminaires
B 16A:	50 luminaires
C 10A:	52 luminaires
C 16A:	85 luminaires

Lighting technology

Half beam angle 49°

Luminaire data for the light planning program DIALux for outdoor lighting, street lighting and interior lighting as well as luminaire data in EULUMDAT and IES format are available on our website www.bega.com.

Article No. 84 294

LED colour temperature optionally 3000K or 4000K

3000 K – Article number + **K3**

4000 K – Article number + **K4**

We supply this luminaire with skid-blocking glass which is denoted by **R** after the article number.

Accessories

14001405R Skid-blocking glass in accordance with EN ISO 51130 R13
 Surface abrasion in accordance with EN ISO 10545-7:
 Category II
 Anti-slip protection in accordance with DIN 51097 Class C

Distribution box for installation in soil

70 730 Distribution box with 7 cable entries
 Connection terminals 5 x 4[□]

71 053 Distribution box with 10 cable entries
 Connection terminals 6 x 16[□]

A separate instructions for use can be provided upon request.

Light distribution

