

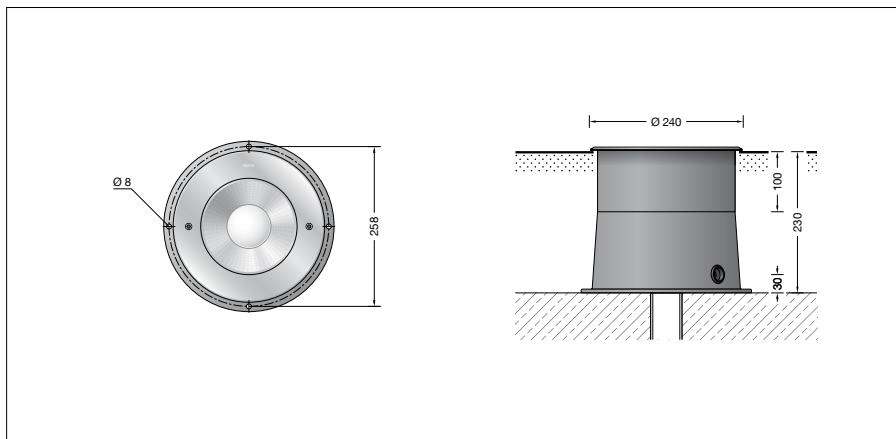
**BEGA****84 266**

In-ground luminaire

IP 67

Project · Reference number

Date



## Product data sheet

**Application**

LED floodlight with symmetrical light distribution. For recessed mounting in compacted surfaces, paths and places. Drive-over luminaire for vehicles with pneumatic tyres.

**Please note:**

Luminaires must not be used for installation in road lanes, where the fixture is exposed to a horizontal strain due to braking, acceleration and change of direction. For walk-through public areas, we recommend skid-blocking glass – see accessories.

**Product description**

Luminaires and installation housings made of highly corrosion-resistant aluminium  
 BEGA Tricoat® coating technology  
 Cover ring made of stainless steel  
 Steel grade no. 1.4301  
 Ring made of glass fibre reinforced synthetic material  
 Clear safety glass  
 Reflector surface made of pure aluminium with integrated diffuser  
 Recess housing with cable entry for cable conduit, max  $\varnothing$  20 mm  
 1,8 m water-resistant connecting cable 07RN8-F 5G 1<sup>□</sup> with implemented water stopper and 1.2 m PVC cable conduit  
 LED power supply unit  
 220-240 V  $\approx$  0/50-60 Hz  
 DC 176-264 V  
 DALI controllable  
 A basic isolation exists between power cable and control line  
 Safety class I  
 Protection class IP 67  
 Dust-tight and protection against temporary immersion  
 Pressure load 5,000 kg (~50 kN)  
 Impact strength IK10  
 Protection against mechanical impacts < 20 joule  
**CE** – Conformity mark  
 Weight: 7.0 kg

**Lamp**

Module connected wattage 28.7 W  
 Luminaire connected wattage 31 W  
 Rated temperature  $t_a = 25^\circ\text{C}$   
 Ambient temperature  $t_{a\text{max}} = 45^\circ\text{C}$

**84 266 K3**

Module designation LED-1004/830  
 Colour temperature 3000 K  
 Colour rendering index CRI > 80  
 Module luminous flux 4015 lm  
 Luminaire luminous flux 2833 lm  
 Luminaire luminous efficiency 91,4 lm/W

**84 266 K4**

Module designation LED-1004/840  
 Colour temperature 4000 K  
 Colour rendering index CRI > 80  
 Module luminous flux 4015 lm  
 Luminaire luminous flux 2833 lm  
 Luminaire luminous efficiency 91,4 lm/W

**Service life · Ambient temperature**

Rated temperature  $t_a = 25^\circ\text{C}$   
 LED psu: > 50,000 h  
 LED module: 131,000 h (L 80 B 50)

Ambient temperature  $t_{a\text{max}} = 45^\circ\text{C}$  (100 %)  
 LED psu: 50,000 h  
 LED module: 41,000 h (L 80 B 50)  
 62,000 h (L 70 B 50)

Ambient temperature  $t_{a\text{max}} = 50^\circ\text{C}$  (90 %)  
 LED psu: 50,000 h  
 LED module: 50,000 h

BEGA Thermal Control® protects temperature-sensitive luminaire components by temporarily limiting the nominal power at high temperatures.

**Article No. 84 266**

LED colour temperature optionally 3000 K or 4000 K  
 3000 K – Article number + **K3**  
 4000 K – Article number + **K4**

We supply this luminaire with skid-blocking glass which is denoted by **R** after the article number.

**Inrush current**

Inrush current: 5 A / 100  $\mu\text{s}$   
 Maximum number of luminaires of this type per miniature circuit breaker:  
 B 10A: 35 luminaires  
 B 16A: 56 luminaires  
 C 10A: 35 luminaires  
 C 16A: 56 luminaires

**Lighting technology**

Half beam angle  $53^\circ$   
 Luminaire data for the light planning program DIALux for outdoor lighting, street lighting and interior lighting as well as luminaire data in EULUMDAT and IES format are available on our website [www.bega.com](http://www.bega.com).

**Accessories**

**14001397R** Skid-blocking glass in accordance with EN ISO 51130 R13  
 Surface abrasion in accordance with EN ISO 10545-7:  
 Category II  
 Anti-slip protection in accordance with DIN 51097 Class C

Distribution box for installation in soil  
**70 730** Distribution box with 7 cable entries  
 Connection terminals  $5 \times 4^{\square}$   
**71 053** Distribution box with 10 cable entries  
 Connection terminals  $6 \times 16^{\square}$

A separate instructions for use can be provided upon request.

**Light distribution**