

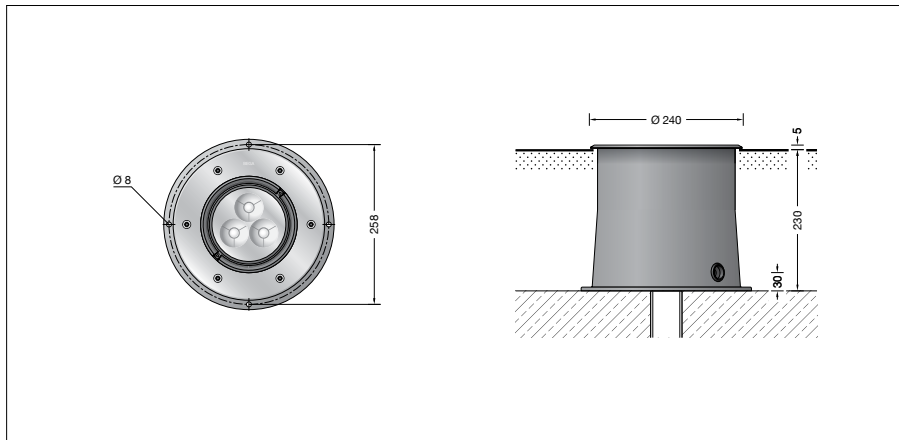
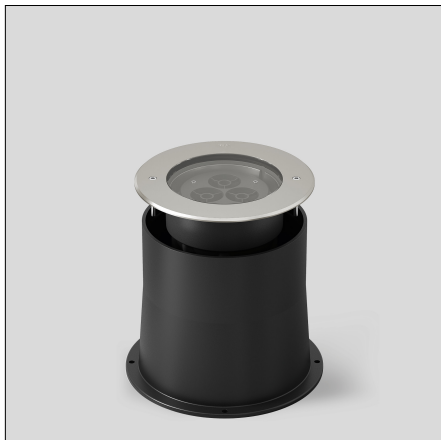
BEGA**84 255**

In-ground luminaire

IP 67

Project · Reference number

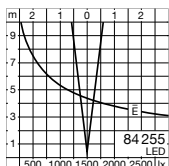
Date



Product data sheet

Product description

Luminaires and installation housings made of highly corrosion-resistant aluminium
 BEGA Tricoat® coating technology
 Cover ring made of stainless steel
 Steel grade no. 1.4301
 Ring made of glass fibre reinforced synthetic material
 Clear safety glass
 Reflector surface made of pure aluminium
 Optical silicone lens · BEGA Hybrid Optics®
 Recess housing with cable entry for cable conduit, max \varnothing 20 mm
 1,8 m water-resistant connecting cable 07RN8-F 5 G 1[□] with implemented water stopper and 1.2 m PVC cable conduit
 LED power supply unit
 220-240 V \sphericalangle 0/50-60 Hz
 DC 170-280 V
 DALI controllable
 A basic isolation exists between power cable and control line
 BEGA Thermal Control®
 Temporary thermal regulation to protect temperature-sensitive components without switching off the luminaire
 Safety class I
 Protection class IP 67
 Dust-tight and protection against temporary immersion
 Pressure load 5,000 kg (~50 kN)
 Impact strength IK10
 Protection against mechanical impacts < 20 joule
CE – Conformity mark
 Weight: 8.1 kg

Light distribution**Application**

LED floodlight with symmetrical very narrow beam light distribution.
 The built-in optical system can be swivelled by $\pm 10^\circ$ and is infinitely rotatable.
 For installation in paved surfaces, pathways and squares. The luminaires can be driven over by vehicles with pneumatic tyres.

Please note:

Luminaire must not be used for installation in road lanes, where the fixture is exposed to a horizontal strain due to braking, acceleration and change of direction.
 For walk-through public areas, we recommend skid-blocking glass – see accessories.

Accessories

14001530R Skid-blocking glass
 BEGA skid-blocking glass with the highest rating R 13 according to DIN 51130 can be used without restriction for all public areas.
 Abrasion resistance according to EN ISO 10545-7 Class 3
 Distribution box for installation in soil
70 730 Distribution box with 7 cable entries
 Connection terminals 5 x 4[□]
71 053 Distribution box with 10 cable entries
 Connection terminals 6 x 16[□]

A separate instructions for use can be provided upon request.

Lighting technology

Half beam angle 5°
 Luminaire data for the light planning program DIALux for outdoor lighting, street lighting and interior lighting as well as luminaire data in EULUMDAT and IES format are available on our website www.bega.com.

Inrush current

Inrush current: 10 A / 200 μ s
 Maximum number of luminaires of this type per miniature circuit breaker:
 B 10A: 18 luminaires
 B 16A: 30 luminaires
 C 10A: 31 luminaires
 C 16A: 51 luminaires

Lamp

Module connected wattage	12.8 W
Luminaire connected wattage	16.5 W
Rated temperature	$t_a = 25^\circ\text{C}$
Ambient temperature	$t_{a\text{ max}} = 35^\circ\text{C}$

84 255 K3

Module designation	LED-0965/830
Colour temperature	3000 K
Colour rendering index	CRI > 80
Module luminous flux	1770 lm
Luminaire luminous flux	489 lm
Luminaire luminous efficiency	29,6 lm/W

84 255 K4

Module designation	LED-0965/840
Colour temperature	4000 K
Colour rendering index	CRI > 80
Module luminous flux	1820 lm
Luminaire luminous flux	502 lm
Luminaire luminous efficiency	30,4 lm/W

Service life · Ambient temperature

Rated temperature $t_a = 25^\circ\text{C}$	
LED psu:	> 50,000 h
LED module:	> 200,000 h (L 80 B 50) > 100,000 h (L 90 B 50)
Ambient temperature $t_{a\text{ max}} = 35^\circ\text{C}$ (100 %)	
LED psu:	50,000 h
LED module:	> 200,000 h (L 80 B 50) > 100,000 h (L 90 B 50)

Article No. 84 255

LED colour temperature optionally 3000 K or 4000 K
 3000 K – Article number + **K3**
 4000 K – Article number + **K4**

We supply this luminaire with skid-blocking glass which is denoted by **R** after the article number.