

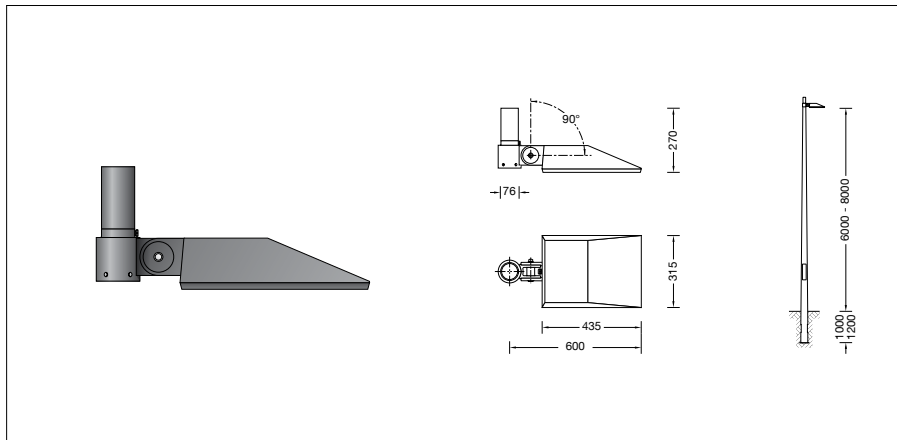
**BEGA****84 250**

Pole top luminaire



Project · Reference number

Date



## Product data sheet

**Application**

LED pole top luminaire with asymmetrical light distribution for in-depth illumination of surfaces and squares.

The adjustable attack angle allows a precise alignment of the light distribution to the surface to be illuminated.

For mounting heights 6000-8000 mm.

**Product description**

Luminaire made of aluminium alloy, aluminium and stainless steel

BEGA Unidure® coating technology

Clear safety glass

Silicone gasket

Reflector made of pure anodised aluminium

Attack angle adjustable in steps

of 10° up to +90°

For pole top ø 76 mm

Slip fitter insert depth 95 mm

Connecting cable X05BQ-F 5 G 1 □

Cable length 8 m

LED power supply unit

220-240 V ~ 0/50-60 Hz

DC 176-280 V

During DC operation the LED power

is reduced to 15 %

DALI controllable

A basic isolation exists between power cable and control line

BEGA Thermal Control®

Temporary thermal regulation to protect

temperature-sensitive components without

switching off the luminaire

Safety class I

Protection class IP 66

Dust-tight and protection against strong water jets

– Safety mark

– Conformity mark

Horizontal wind catching area: 0.06 m<sup>2</sup>

Weight: 8.8 kg

**Lamp**

Module connected wattage 98.3 W

Luminaire connected wattage 108 W

Rated temperature  $t_a = 25\text{ °C}$

Ambient temperature  $t_{a,max} = 40\text{ °C}$

**84 250 K3**

Module designation LED-1003/830

Colour temperature 3000 K

Colour rendering index CRI > 80

Module luminous flux 13760 lm

Luminaire luminous flux 10526 lm

Luminaire luminous efficiency 97,5 lm/W

**84 250 K4**

Module designation LED-1003/840

Colour temperature 4000 K

Colour rendering index CRI > 80

Module luminous flux 13760 lm

Luminaire luminous flux 10526 lm

Luminaire luminous efficiency 97,5 lm/W

**Service life · Ambient temperature**

Rated temperature  $t_a = 25\text{ °C}$

LED psu: > 50,000 h

LED module: 157,000 h (L80B50)

Ambient temperature  $t_{a,max} = 40\text{ °C}$  (100 %)

LED psu: 50,000 h

LED module: 63,000 h (L80B50)

LED module: 95,000 h (L70B50)

Ambient temperature  $t_{a,max} = 50\text{ °C}$  (55 %)

LED psu: 50,000 h

LED module: 50,000 h

BEGA Thermal Control® protects temperature-sensitive luminaire components by temporarily limiting the nominal power at high temperatures.

**Inrush current**

Inrush current: 50 A / 209 μs

Maximum number of luminaires of this type per miniature circuit breaker:

B 10A: 6 luminaires

B 16A: 10 luminaires

C 10A: 10 luminaires

C 16A: 16 luminaires

**Light technique**

Luminaire data for the light planning program DIALux for outdoor lighting, street lighting and indoor lighting as well as luminaire data in EULUMDAT- and IES-format you will find on the BEGA web page [www.bega.com](http://www.bega.com).

**Article No. 84 250**

LED colour temperature optionally 3000 K or 4000 K

3000 K – Article number + **K3**

4000 K – Article number + **K4**

Colour graphite or silver

graphite – article number

silver – article number + **A**

**Accessories**

For this luminaire we recommend the following BEGA luminaire poles:

Tapered aluminium poles · lacquered with access door and C-clamp

**70 916** Pole with anch.section H 6000 mm

**70 917** Pole with anch.section H 7000 mm

**70 726** Pole with anch.section H 8000 mm

Tapered steel poles without visible welding

seam - hot-dip galvanised and lacquered

with access door and C-clamp

**70 834** Pole with anch.section H 6000 mm

**70 835** Pole with anch.section H 7000 mm

**70 836** Pole with anch.section H 8000 mm

For suitable connection boxes please see the instructions for use of the luminaire poles.

**Light distribution**