

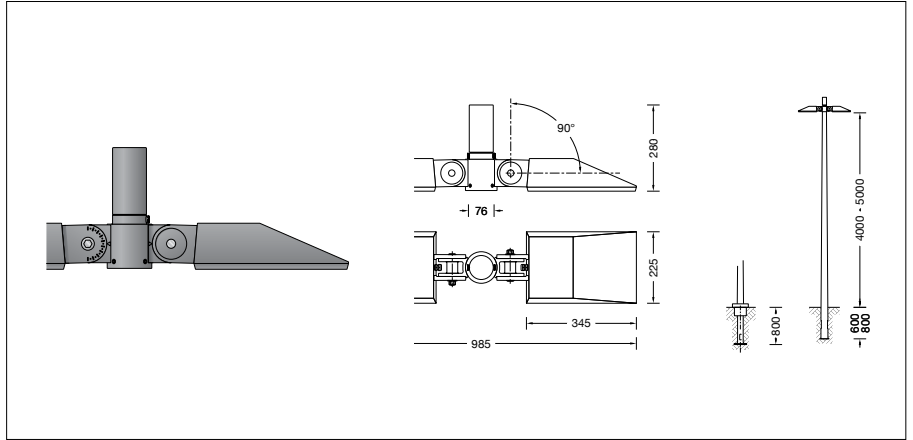
BEGA**84 248**

Pole top luminaire



Project · Reference number

Date



Product data sheet

Application

LED pole top luminaire with asymmetrical light distribution for in-depth illumination of surfaces and squares.

The adjustable attack angle allows a precise alignment of the light distribution to the surface to be illuminated.

For mounting heights 4000-5000 mm.

Product description

Luminaire made of aluminium alloy, aluminium and stainless steel
BEGA Unidure® coating technology
Safety glass

Silicone gasket

Reflector made of pure anodised aluminium

Attack angle adjustable in steps of 10° up to +90°

For pole top ø 76 mm

Slip fitter insert depth 95 mm

2 x Connecting cable X05BQ-F 5G 1[□]

Cable length 5 m

LED power supply unit

220-240 V ~ 0/50-60 Hz

DC 176-276 V

DALI controllable

A basic isolation exists between power cable and control line

BEGA Thermal Control®

Temporary thermal regulation to protect temperature-sensitive components without switching off the luminaire

Safety class I

Protection class IP 66

Dust-tight and protection against strong water jets

Impact strength IK10

Protection against mechanical impacts < 20 joule

– Safety mark

– Conformity mark

Horizontal wind catching area: 0.094 m²

Weight: 11.4 kg

Lamp

Module connected wattage 2x 21.3 W

Luminaire connected wattage 50 W

Rated temperature $t_a = 25\text{ °C}$

Ambient temperature $t_{a\text{ max}} = 50\text{ °C}$

84 248 K3

Module designation 2x LED-0971/830

Colour temperature 3000 K

Colour rendering index CRI > 80

Module luminous flux 8270 lm

Luminaire luminous flux 6512 lm

Luminaire luminous efficiency 130,2 lm/W

84 248 K4

Module designation 2x LED-0971/840

Colour temperature 4000 K

Colour rendering index CRI > 80

Module luminous flux 8510 lm

Luminaire luminous flux 6700 lm

Luminaire luminous efficiency 134 lm/W

Service life · Ambient temperature

Rated temperature $t_a = 25\text{ °C}$

LED psu: > 50,000 h

LED module: > 200,000 h (L 80 B 50)

100,000 h (L 90 B 50)

Ambient temperature $t_{a\text{ max}} = 50\text{ °C}$ (100 %)

LED psu: 50,000 h

LED module: 131,000 h (L 80 B 50)

Light technique

Luminaire data for the light planning program

DIALux for outdoor lighting, street lighting and

indoor lighting as well as luminaire data in

EULUMDAT- and IES-format you will find on the

BEGA web page www.bega.com.

Inrush current

Inrush current: 21 A / 24.2 μs

Maximum number of luminaires of this

type per miniature circuit breaker:

B 10 A: 25 luminaires

B 16 A: 25 luminaires

C 10 A: 25 luminaires

C 16 A: 25 luminaires

Article No. 84 248

LED colour temperature optionally 3000K or 4000K

3000 K – Article number + **K3**

4000 K – Article number + **K4**

Colour graphite or silver

graphite – article number

silver – article number + **A**

Accessories

For this luminaire we recommend the following

BEGA luminaire poles:

Tapered aluminium poles · lacquered

with access door and C-clamp

70 914 Pole with anch.section H 4000 mm

70 725 Pole with anch.section H 4500 mm

70 915 Pole with anch.section H 5000 mm

70 916 Pole with anch.section H 6000 mm

70 791 Pole with baseplate H 4000 mm

70 792 Pole with baseplate H 4500 mm

70 794 Pole with baseplate H 5000 mm

Cylindrically stepped aluminium poles,

lacquered with door und C rail

70 901 Pole with anch.section H 4000 mm

70 903 Pole with anch.section H 5000 mm

70 900 Pole with baseplate H 4000 mm

70 902 Pole with baseplate H 5000 mm

For suitable connection boxes please see the

instructions for use of the luminaire poles.

Light distribution

