

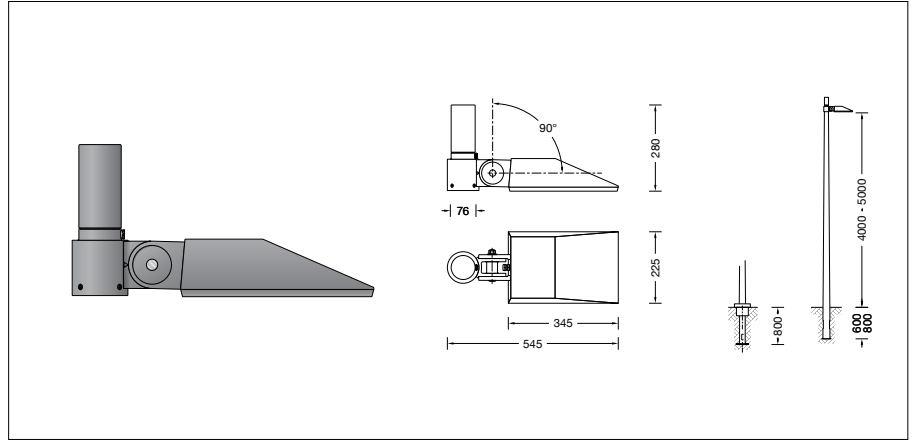
BEGA**84 247**

Pole top luminaire



Project · Reference number

Date



Product data sheet

Application

LED pole top luminaire with asymmetrical light distribution for in-depth illumination of surfaces and squares.

The adjustable attack angle allows a precise alignment of the light distribution to the surface to be illuminated.

For mounting heights 4000-5000 mm.

Product description

Luminaire made of aluminium alloy, aluminium and stainless steel
BEGA Unidure® coating technology
Safety glass

Silicone gasket

Reflector made of pure anodised aluminium

Attack angle adjustable in steps

of 10° up to +90°

For pole top ø 76 mm

Slip fitter insert depth 95 mm

Connecting cable X05BQ-F 5 G 1[□]

Cable length 5 m

LED power supply unit

220-240 V ~ 0/50-60 Hz

DC 176-276 V

DALI controllable

A basic isolation exists between power cable and control line

Safety class I

Protection class IP 66

Dust-tight and protection against strong water jets

Impact strength IK10

Protection against mechanical

impacts < 20 joule

– Safety mark

– Conformity mark

Horizontal wind catching area: 0.086 m²

Weight: 6.1 kg

Lamp

Module connected wattage 21.3 W
Luminaire connected wattage 25 W
Rated temperature $t_a = 25\text{ °C}$
Ambient temperature $t_{a\text{max}} = 50\text{ °C}$

84 247 K3

Module designation LED-0971/830
Colour temperature 3000 K
Colour rendering index CRI > 80
Module luminous flux 4135 lm
Luminaire luminous flux 3256 lm
Luminaire luminous efficiency 130,2 lm/W

84 247 K4

Module designation LED-0971/840
Colour temperature 4000 K
Colour rendering index CRI > 80
Module luminous flux 4255 lm
Luminaire luminous flux 3350 lm
Luminaire luminous efficiency 134 lm/W

Service life · Ambient temperature

Rated temperature $t_a = 25\text{ °C}$
LED psu: > 50,000 h
LED module: > 200,000 h (L 80 B 50)
100,000 h (L 90 B 50)

Ambient temperature $t_{a\text{max}} = 50\text{ °C}$ (100 %)

LED psu: 50,000 h
LED module: 131,000 h (L 80 B 50)

Light technique

Luminaire data for the light planning program DIALux for outdoor lighting, street lighting and indoor lighting as well as luminaire data in EULUMDAT- and IES-format you will find on the BEGA web page www.bega.com.

Inrush current

Inrush current: 12 A / 24.2 μs
Maximum number of luminaires of this type per miniature circuit breaker:

B 10A: 50 luminaires

B 16A: 50 luminaires

C 10A: 50 luminaires

C 16A: 50 luminaires

Article No. 84 247

LED colour temperature optionally 3000 K or 4000 K

3000 K – Article number + **K3**

4000 K – Article number + **K4**

Colour graphite or silver
graphite – article number
silver – article number + **A**

Accessories

For this luminaire we recommend the following BEGA luminaire poles:

Tapered aluminium poles · lacquered with access door and C-clamp

70 914 Pole with anch.section H 4000 mm

70 725 Pole with anch.section H 4500 mm

70 915 Pole with anch.section H 5000 mm

70 791 Pole with baseplate H 4000 mm

70 792 Pole with baseplate H 4500 mm

70 794 Pole with baseplate H 5000 mm

Cylindrically stepped aluminium poles, lacquered with door und C rail

70 901 Pole with anch.section H 4000 mm

70 903 Pole with anch.section H 5000 mm

70 900 Pole with baseplate H 4000 mm

70 902 Pole with baseplate H 5000 mm

For suitable connection boxes please see the instructions for use of the luminaire poles.

Light distribution