

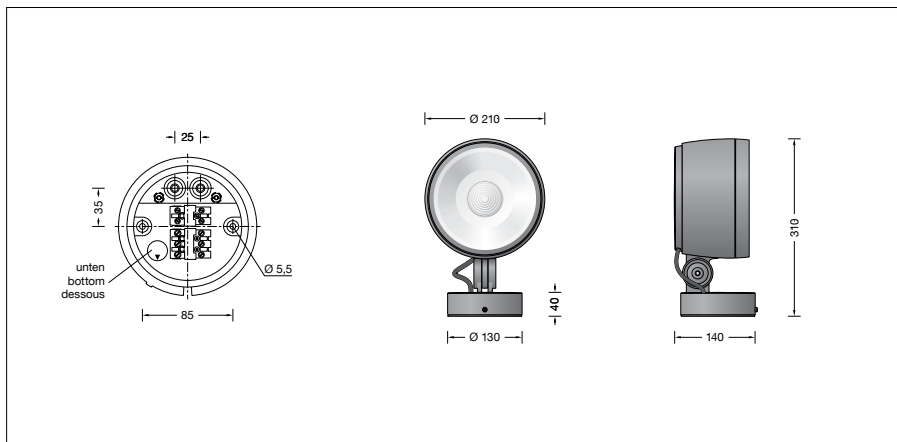
BEGA**84 223**

Floodlight

IP 65

Project · Reference number

Date



Product data sheet

Application

LED performance floodlight with mounting box in compact design.

For a variety of interior and exterior lighting applications.

Product description

Luminaire made of aluminium alloy, aluminium and stainless steel
Clear safety glass · Silicone gasket
Optical silicone lens · BEGA Hybrid Optics®
Reflector surface made of pure aluminium
Rotation range of floodlight 350°
Swivel range -30°/+100°

Mounting box with 2 fixing holes

Ø 5.5 mm · 85 mm spacing

2 cable entries for through-wiring of mains

supply cable Ø 7-10.5 mm, max. 5 G 1.5[□]

Connecting terminal 2.5[□]

with plug connection

Earth conductor connection

LED power supply unit

220-240 V ~ 0/50-60 Hz

DC 176-280 V

During DC operation the LED power

is reduced to 15 %

DALI controllable

A basic isolation exists between power cable

and control line

Safety class I

Protection class IP 65

Dust-tight and protection against water jets

CE – Conformity mark

Wind catching area: 0.04 m²

Weight: 4.6 kg

Lamp

Module connected wattage	60.3 W
Luminaire connected wattage	66 W
Rated temperature	$t_a = 25\text{ °C}$
Ambient temperature	$t_{a\text{ max}} = 35\text{ °C}$

84 223 K4

Module designation	LED-0442/940
Colour temperature	4000 K
Colour rendering index	CRI > 90
Module luminous flux	9255 lm
Luminaire luminous flux	7038 lm
Luminaire luminous efficiency	106,6 lm/W

84 223 K3

Module designation	LED-0442/930
Colour temperature	3000 K
Colour rendering index	CRI > 90
Module luminous flux	9115 lm
Luminaire luminous flux	6931 lm
Luminaire luminous efficiency	105 lm/W

Service life · Ambient temperature

Rated temperature $t_a = 25\text{ °C}$	
LED psu:	> 50,000 h
LED module:	145,000 h (L80 B50) 100,000 h (L80 B50)

Ambient temperature $t_{a\text{ max}} = 35\text{ °C}$ (100 %)

LED psu:	50,000 h
LED module:	120,000 h (L80 B50) 100,000 h (L80 B50)

Ambient temperature $t_{a\text{ max}} = 50\text{ °C}$ (65 %)

LED psu:	50,000 h
LED module:	50,000 h

BEGA Thermal Control® protects temperature-sensitive luminaire components by temporarily limiting the nominal power at high temperatures.

Inrush current

Inrush current: 50 A / 209 μs

Maximum number of luminaires of this type per miniature circuit breaker:

B 10A: 6 luminaires

B 16A: 10 luminaires

C 10A: 10 luminaires

C 16A: 16 luminaires

Lighting technology

Symmetrical narrow beam light distribution.

By changing the diffuser lense it is possible to alter the symmetrical light distribution into a flat beam light distribution.

Luminaire data for the light planning program DIALux for outdoor lighting, street lighting and indoor lighting, as well as luminaire data in EULUMDAT and IES format are available on the BEGA website at www.bega.com.

Article No. 84 223

LED colour temperature optionally 4000K or 3000K

4000 K – Article number + **K4**

3000 K – Article number + **K3**

Colour graphite or silver

graphite – article number

silver – article number + **A**

Accessories

71 121 Shield

71 123 Exchangeable lens flat beam

71 122 Louvre

For the accessories a separate instructions for use can be provided upon request.

Light distribution