

BEGA**84 165**

In-ground luminaire

IP 67

Project · Reference number

Date

Product data sheet**Application**

LED floodlight with symmetrical light distribution. For recessed mounting in compacted surfaces, paths and places. Drive-over luminaire for vehicles with pneumatic tyres.

Please note:

Luminaire must not be used for installation in road lanes, where the fixture is exposed to a horizontal strain due to braking, acceleration and change of direction.

Product description

Luminaire made of aluminium alloy, aluminium and stainless steel
Cover frame made of stainless steel, steel grade number 1.4301
Recess housing with cable entry for cable conduit, max \varnothing 20 mm
Matt safety glass
Reflector surface made of pure aluminium
1,8 m water-resistant connecting cable
07RN8-F 5 G 1[□] with implemented water stopper and 1.2 m PVC cable conduit
LED power supply unit
220-240 V \sim 0/50-60 Hz
DC 176-264 V
DALI controllable
A basic isolation exists between power cable and control line
Safety class I
Protection class IP 67
Dust-tight and protection against temporary immersion
Pressure load 1,000 kg (10 kN)
CE – Conformity mark
Weight: 5.4 kg

Inrush current

Inrush current: 5 A / 100 μ s
Maximum number of luminaires of this type per miniature circuit breaker:
B 10 A: 42 luminaires
B 16 A: 68 luminaires
C 10 A: 42 luminaires
C 16 A: 68 luminaires

Lamp

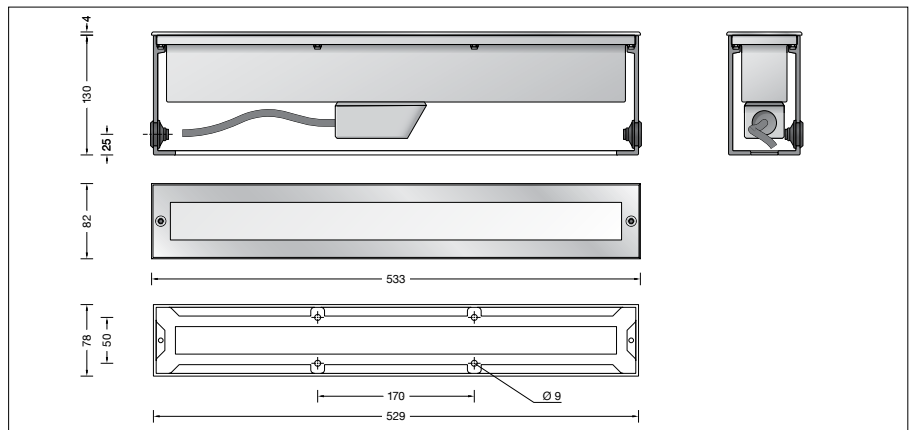
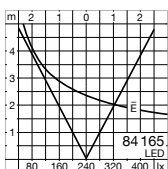
Module connected wattage 16 W
Luminaire connected wattage 18.5 W
Rated temperature $t_a = 25$ °C
Ambient temperature $t_{a \text{ max}} = 55$ °C
When installed in heat-insulating material $t_{a \text{ max}} = 35$ °C

84 165 K4

Module designation 2x LED-0771/840
Colour temperature 4000 K
Colour rendering index CRI > 80
Module luminous flux 2860 lm
Luminaire luminous flux 1884 lm
Luminaire luminous efficiency 101,8 lm/W

84 165 K3

Module designation 2x LED-0771/830
Colour temperature 3000 K
Colour rendering index CRI > 80
Module luminous flux 2800 lm
Luminaire luminous flux 1846 lm
Luminaire luminous efficiency 99,8 lm/W

Light distribution**Service life of the LED**

Ambient temperature $t_a = 25$ °C
– at 112,000h: L70B50

max. ambient temperature $t_a = 55$ °C
– at 65,000h: L70B50

Lighting technology

Half beam angle 54°
Luminaire data for the light planning program DIALux for outdoor lighting, street lighting and interior lighting as well as luminaire data in EULUMDAT and IES format are available on our website www.bega.com.

Article No. 84 165

LED colour temperature optionally 4000 K or 3000 K
4000 K – Article number + **K4**
3000 K – Article number + **K3**

Accessories

Distribution box for installation in soil
70 730 Distribution box with 7 cable entries
Connection terminals 5 x 4[□]
71 053 Distribution box with 10 cable entries
Connection terminals 6 x 16[□]