

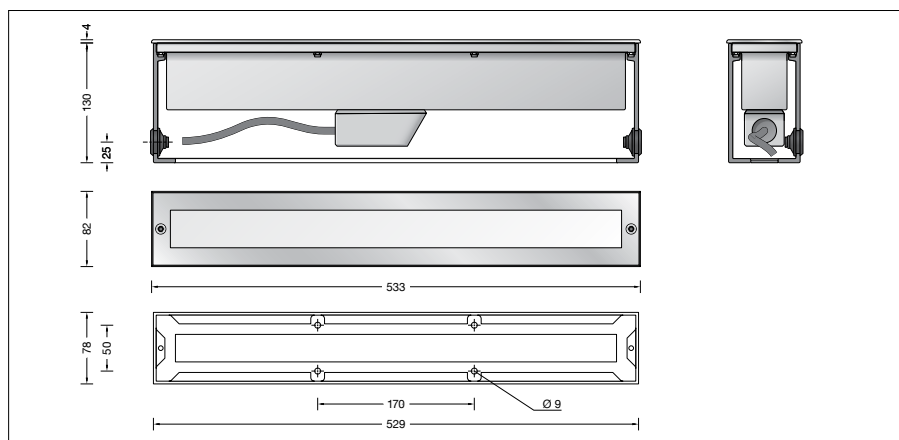
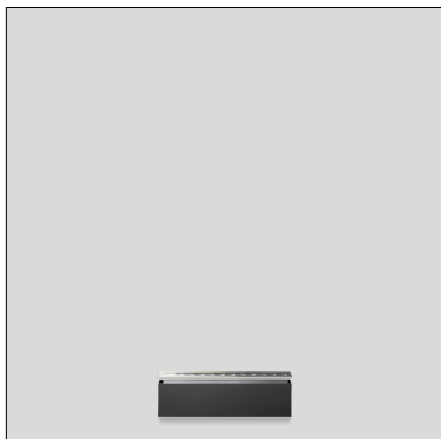
BEGA**84 162**

In-ground luminaire

IP 67

Project · Reference number

Date



Product data sheet

Product description

Luminaire made of aluminium alloy, aluminium and stainless steel
 Cover frame made of stainless steel, steel grade number 1.4301
 Recess housing with cable entry for cable conduit, max \varnothing 20 mm
 Matt safety glass
 BEGA Vortex Optics®
 Reflector surface made of pure aluminium
 1,8 m water-resistant connecting cable
 07RN8-F 5 G 1[□] with implemented water stopper and 1.2 m PVC cable conduit
 LED power supply unit
 220-240 V \sim 0/50-60 Hz
 DC 176-264 V
 DALI controllable
 A basic isolation exists between power cable and control line
 BEGA Thermal Control®
 Temporary thermal regulation to protect temperature-sensitive components without switching off the luminaire
 Safety class I
 Protection class IP 67
 Dust-tight and protection against temporary immersion
 Pressure load 1,000 kg (~10 kN)
 Impact strength IK09
 Protection against mechanical impacts < 10 joule
CE – Conformity mark
 Weight: 5.5 kg

Application

LED floodlight with asymmetrical light distribution for installation in compacted surfaces. Drive-over luminaire from vehicles with pneumatic tyres.

Please note:

Luminaire must not be used for installation in road lanes, where the fixture is exposed to a horizontal strain due to braking, acceleration and change of direction.

Lamp

Module connected wattage	15.8 W
Luminaire connected wattage	18.3 W
Rated temperature	$t_a = 25\text{ }^\circ\text{C}$
Ambient temperature	$t_{a\text{ max}} = 55\text{ }^\circ\text{C}$
When installed in heat-insulating material	$t_{a\text{ max}} = 35\text{ }^\circ\text{C}$

84 162 K4

Module designation	2x LED-0771/840
Colour temperature	4000 K
Colour rendering index	CRI > 80
Module luminous flux	2930 lm
Luminaire luminous flux	1657 lm
Luminaire luminous efficiency	90,5 lm/W

84 162 K3

Module designation	2x LED-0771/830
Colour temperature	3000 K
Colour rendering index	CRI > 80
Module luminous flux	2850 lm
Luminaire luminous flux	1611 lm
Luminaire luminous efficiency	88 lm/W

Service life · Ambient temperature

Rated temperature $t_a = 25\text{ }^\circ\text{C}$	
LED psu:	> 50,000h
LED module:	> 200,000h (L80B50) 100,000h (L90B50)

Ambient temperature $t_{a\text{ max}} = 55\text{ }^\circ\text{C}$ (100 %)

LED psu:	50,000h
LED module:	37,000h (L80B50) 57,000h (L70B50)

Inrush current

Inrush current: 5 A / 100 μs
 Maximum number of luminaires of this type per miniature circuit breaker:
 B 10A: 42 luminaires
 B 16A: 68 luminaires
 C 10A: 42 luminaires
 C 16A: 68 luminaires

Lighting technology

Half beam angle 46/53°
 Luminaire data for the light planning program DIALux for outdoor lighting, street lighting and interior lighting as well as luminaire data in EULUMDAT and IES format are available on our website www.bega.com.

Article No. 84 162

LED colour temperature optionally 4000 K or 3000 K
 4000 K – Article number + **K4**
 3000 K – Article number + **K3**

Accessories

Distribution box for installation in soil
70 730 Distribution box with 7 cable entries
 Connection terminals 5 x 4[□]
71 053 Distribution box with 10 cable entries
 Connection terminals 6 x 16[□]

Light distribution