

BEGA**84 157**

In-ground luminaire

IP 67

Project · Reference number

Date

Product data sheet

Application

Recessed LED location luminaire for recessed mounting in compacted surfaces, paths and open areas. Drive-over luminaire for vehicles with pneumatic tyres.

Please note:

Luminaire must not be used for installation in road lanes, where the fixture is exposed to a horizontal strain due to braking, acceleration and change of direction.

Product description

Luminaire made of aluminium alloy, aluminium and stainless steel
 Cover frame made of stainless steel, steel grade number 1.4301
 Recess housing with cable entry for cable conduit, max \varnothing 20 mm
 Safety glass, white
 1,8 m water-resistant connecting cable 07RN8-F 5 G 1[□] with implemented water stopper and 1.2 m PVC cable conduit
 LED power supply unit
 220-240 V \sim 0/50-60 Hz
 DC 176-264 V
 DALI controllable
 A basic isolation exists between power cable and control line
 Safety class I
 Protection class IP 67
 Dust-tight and protection against temporary immersion
 Pressure load 1,000 kg (~10 kN)
CE – Conformity mark
 Weight: 9.4 kg

Inrush current

Inrush current: 5 A / 100 μ s

Maximum number of luminaires of this type per miniature circuit breaker:

B 10 A: 42 luminaires
 B 16 A: 68 luminaires
 C 10 A: 42 luminaires
 C 16 A: 68 luminaires

Lamp

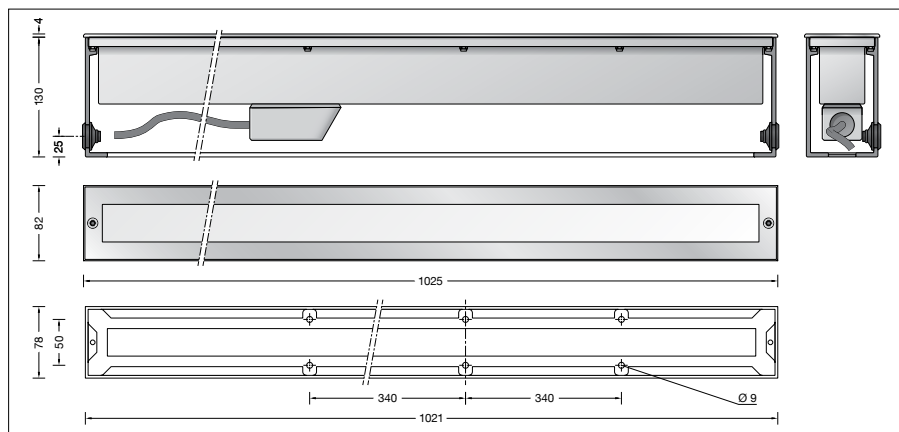
Module connected wattage	31.6 W
Luminaire connected wattage	35.6 W
Rated temperature	$t_a = 25^\circ\text{C}$
Ambient temperature	$t_{a\text{max}} = 40^\circ\text{C}$
When installed in heat-insulating material	$t_{a\text{max}} = 30^\circ\text{C}$

84 157 K4

Module designation	4x LED-0772/840
Colour temperature	4000 K
Colour rendering index	CRI > 80
Module luminous flux	6060 lm
Luminaire luminous flux	2086 lm
Luminaire luminous efficiency	58,6 lm/W

84 157 K3

Module designation	4x LED-0772/830
Colour temperature	3000 K
Colour rendering index	CRI > 80
Module luminous flux	5900 lm
Luminaire luminous flux	2029 lm
Luminaire luminous efficiency	57 lm/W

**Service life · Ambient temperature**

Rated temperature $t_a = 25^\circ\text{C}$	
LED psu:	> 50,000 h
LED module:	> 200,000 h (L80 B50)
	100,000 h (L90 B50)

Ambient temperature $t_{a\text{max}} = 40^\circ\text{C}$ (100 %)	
LED psu:	50,000 h
LED module:	165,000 h (L80 B50)

Ambient temperature $t_{a\text{max}} = 50^\circ\text{C}$ (85 %)	
LED psu:	50,000 h
LED module:	50,000 h

BEGA Thermal Control® protects temperature-sensitive luminaire components by temporarily limiting the nominal power at high temperatures.

Light technique

Luminaire data for the light planning program DIALux for outdoor lighting, street lighting and indoor lighting as well as luminaire data in EULUMDAT- and IES-format you will find on the BEGA web page www.bega.com.

Article No. 84 157

LED colour temperature optionally 4000 K or 3000 K
 4000 K – Article number + **K4**
 3000 K – Article number + **K3**

Accessories

Distribution box for installation in soil
70 730 Distribution box with 7 cable entries
 Connection terminals 5 x 4[□]
71 053 Distribution box with 10 cable entries
 Connection terminals 6 x 16[□]