

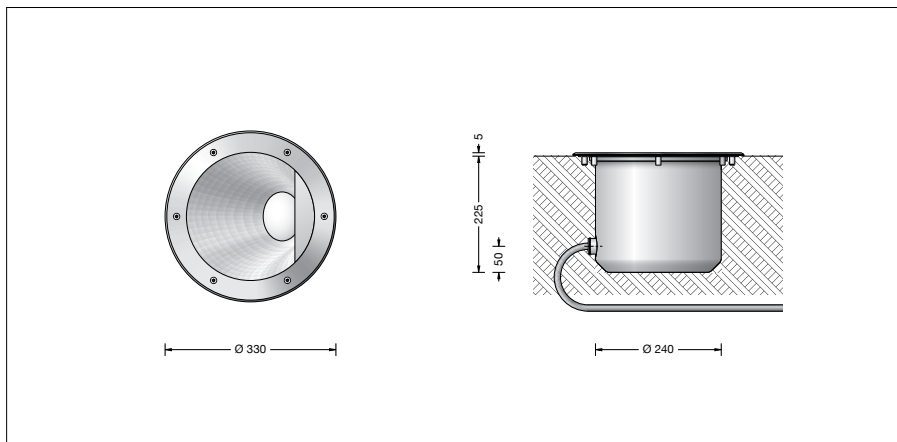
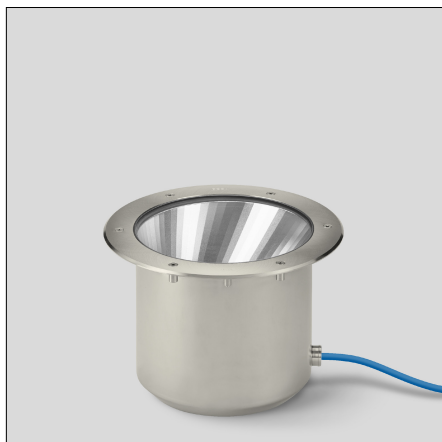
**BEGA****84 155**

In-ground luminaire

IP 68

Project · Reference number

Date



## Product data sheet

**Application**

LED Floodlight · Wallwasher  
With asymmetrical light distribution for soft lighting effects without any harsh light cones on the illuminated surface.  
For embedding in gravel, lawns, flower beds, or in compacted, non-inflammable surfaces.  
Drive-over luminaire for vehicles with pneumatic tyres.

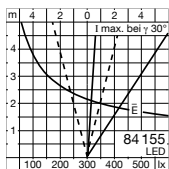
**Please note:**

Luminaire must not be used for installation in road lanes, where the fixture is exposed to a horizontal strain due to braking, acceleration and change of direction.

For walk-through public areas, we recommend skid-blocking glass – see accessories.

**Product description**

Luminaire made of stainless steel  
Steel grade no. 1.4301  
Clear safety glass  
Reflector surface made of pure aluminium  
1,8 m water-resistant connecting cable 07RN8-F 5 G 1<sup>□</sup> with implemented water stopper and 1.2 m PVC cable conduit  
LED power supply unit  
220-240 V ~ 0/50-60 Hz  
DC 176-264 V  
DALI controllable  
A basic isolation exists between power cable and control line  
Safety class I  
Protection class IP 68 10 m  
Dust-tight and water pressure tight  
Maximum submersion depth 10 m  
Not suitable for permanent operation under water  
Pressure load 2,000 kg (~20 kN)  
Impact strength IK10  
Protection against mechanical impacts < 20 joule  
CE – Conformity mark  
Weight: 6.1 kg

**Light distribution****Lamp**

Module connected wattage 27.4 W  
Luminaire connected wattage 30 W  
Rated temperature  $t_a = 25\text{ °C}$   
Ambient temperature  $t_{a\text{max}} = 35\text{ °C}$

On request we can offer you modifications for environments with higher temperatures as a customized product.

**84 155 K4**

Module designation LED-0907/840  
Colour temperature 4000 K  
Colour rendering index CRI > 80  
Module luminous flux 4970 lm  
Luminaire luminous flux 2929 lm  
Luminaire luminous efficiency 97,6 lm/W

**84 155 R K4**

Module designation LED-0907/840  
Colour temperature 4000 K  
Colour rendering index CRI > 80  
Module luminous flux 4970 lm

**84 155 K3**

Module designation LED-0907/830  
Colour temperature 3000 K  
Colour rendering index CRI > 80  
Module luminous flux 4725 lm  
Luminaire luminous flux 2785 lm  
Luminaire luminous efficiency 92,8 lm/W

**84 155 R K3**

Module designation LED-0907/830  
Colour temperature 3000 K  
Colour rendering index CRI > 80  
Module luminous flux 4725 lm

**Service life of the LED**

Ambient temperature  $t_a = 25\text{ °C}$   
– at 170,000h: L70B50

max. ambient temperature  $t_a = 35\text{ °C}$   
– at 155,000h: L70B50

**Inrush current**

Inrush current: 5 A / 100  $\mu$ s  
Maximum number of luminaires of this type per miniature circuit breaker:  
B 10A: 27 luminaires  
B 16A: 44 luminaires  
C 10A: 27 luminaires  
C 16A: 44 luminaires

**Lighting technology**

Asymmetrical light distribution  
Half beam angle 40/55°  
Luminaire data for the light planning program DIALux for outdoor lighting, street lighting and indoor lighting, as well as luminaire data in EULUMDAT and IES format are available on the BEGA website at [www.bega.com](http://www.bega.com).

**Article No. 84 155**

LED colour temperature optionally 4000K or 3000K  
4000 K – Article number + **K4**  
3000 K – Article number + **K3**

We supply this luminaire with skid-blocking glass which is denoted by **R** after the article number.

**Accessories**

**14000233R** Skid-blocking glass  
BEGA skid-blocking glass with the highest rating R 13 according to DIN 51130 can be used without restriction for all public areas.  
Abrasion resistance according to EN ISO 10545-7 Class 3

**70 688** Installation housing made of stainless steel

Distribution box for installation in soil  
**70 730** Distribution box with 7 cable entries  
Connection terminals 5 x 4<sup>□</sup>

**71 053** Distribution box with 10 cable entries  
Connection terminals 6 x 16<sup>□</sup>

A separate instructions for use can be provided upon request.