

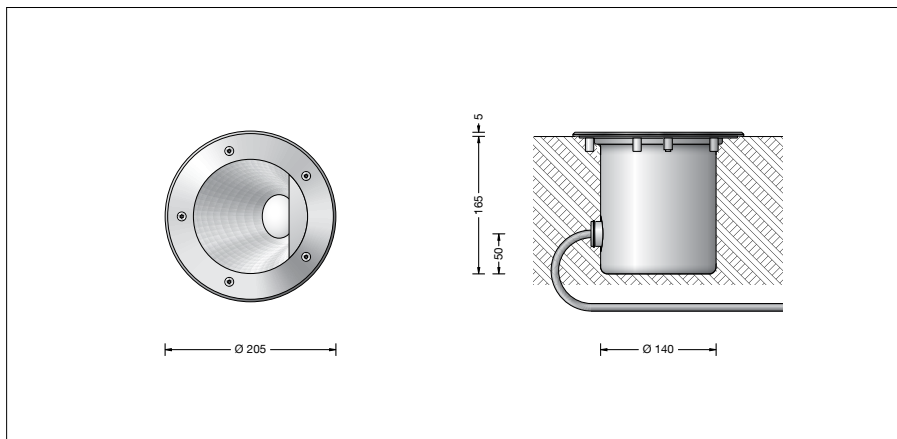
**BEGA****84 153**

In-ground luminaire

IP 68

Project · Reference number

Date



## Product data sheet

**Application**

LED Floodlight · Wallwasher  
With asymmetrical light distribution for soft lighting effects without any harsh light cones on the illuminated surface.

For embedding in gravel, lawns, flower beds, or in compacted, non-inflammable surfaces.  
Drive-over luminaire for vehicles with pneumatic tyres.

**Please note:**

Luminaire must not be used for installation in road lanes, where the fixture is exposed to a horizontal strain due to braking, acceleration and change of direction.

For walk-through public areas, we recommend skid-blocking glass – see accessories.

**Product description**

Luminaire made of stainless steel  
Steel grade no. 1.4301  
Clear safety glass  
Reflector surface made of pure aluminium  
1,8 m water-resistant connecting cable 07RN8-F 5 G 1<sup>□</sup> with implemented water stopper and 1.2 m PVC cable conduit  
LED power supply unit  
220-240 V ~ 0/50-60 Hz  
DC 176-276 V  
DALI controllable  
A basic isolation exists between power cable and control line  
Safety class I  
Protection class IP 68 10 m  
Dust-tight and water pressure tight  
Maximum submersion depth 10 m  
Not suitable for permanent operation under water  
Pressure load 2,000 kg (~20 kN)  
Impact strength IK10  
Protection against mechanical impacts < 20 joule  
CE – Conformity mark  
Weight: 2.6 kg

**Lamp**

Module connected wattage 7.8 W  
Luminaire connected wattage 9.5 W  
Rated temperature  $t_a = 25\text{ °C}$   
Ambient temperature  $t_{a,max} = 50\text{ °C}$

**84 153 K4**

Module designation LED-0918/840  
Colour temperature 4000 K  
Colour rendering index CRI > 80  
Module luminous flux 1420 lm  
Luminaire luminous flux 834 lm  
Luminaire luminous efficiency 87,8 lm/W

**84 153 R K4**

Module designation LED-0918/840  
Colour temperature 4000 K  
Colour rendering index CRI > 80  
Module luminous flux 1420 lm

**84 153 K3**

Module designation LED-0918/830  
Colour temperature 3000 K  
Colour rendering index CRI > 80  
Module luminous flux 1350 lm  
Luminaire luminous flux 793 lm  
Luminaire luminous efficiency 83,5 lm/W

**84 153 R K3**

Module designation LED-0918/830  
Colour temperature 3000 K  
Colour rendering index CRI > 80  
Module luminous flux 1350 lm

**Service life of the LED**

Ambient temperature  $t_a = 25\text{ °C}$   
– at 230,000h: L70 B50

max. ambient temperature  $t_a = 50\text{ °C}$   
– at 170,000h: L70 B50

**Inrush current**

Inrush current: 12 A / 24.2  $\mu$ s  
Maximum number of luminaires of this type per miniature circuit breaker:  
B 10A: 50 luminaires  
B 16A: 50 luminaires  
C 10A: 50 luminaires  
C 16A: 50 luminaires

**Lighting technology**

Half beam angle 40/55°  
Luminaire data for the light planning program DIALux for outdoor lighting, street lighting and interior lighting as well as luminaire data in EULUMDAT and IES format are available on our website [www.bega.com](http://www.bega.com).

**Article No. 84 153**

LED colour temperature optionally 4000 K or 3000 K  
4000 K – Article number + **K4**  
3000 K – Article number + **K3**

We supply this luminaire with skid-blocking glass which is denoted by **R** after the article number.

**Accessories**

**14000645R** Skid-blocking glass  
BEGA skid-blocking glass with the highest rating R 13 according to DIN 51130 can be used without restriction for all public areas.  
Abrasion resistance according to EN ISO 10545-7 Class 3

**70 680** Installation housing

Distribution box for installation in soil  
**70 730** Distribution box with 7 cable entries  
Connection terminals 5 x 4<sup>□</sup>

**71 053** Distribution box with 10 cable entries  
Connection terminals 6 x 16<sup>□</sup>

For the accessories a separate instructions for use can be provided upon request.

**Light distribution**