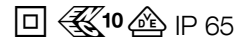


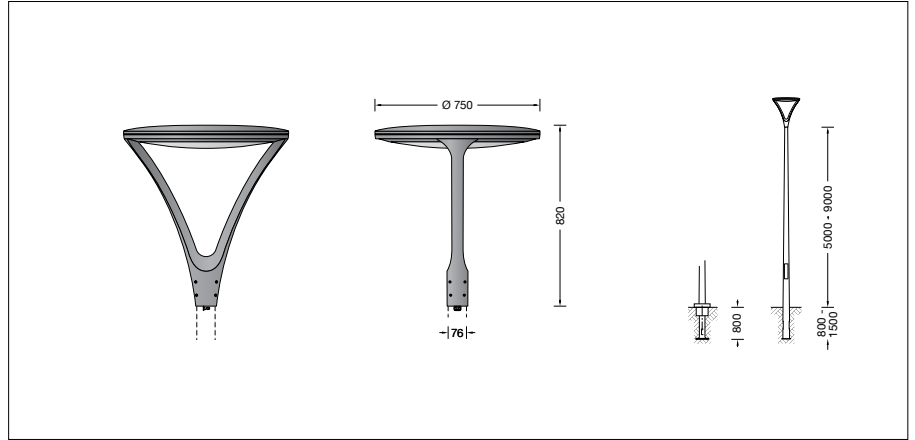
BEGA**84 148**

Pole top luminaire



Project · Reference number

Date



Product data sheet

Application

LED pole top luminaire with asymmetrical flat beam light distribution.
For mounting heights 5000 - 9000 mm.

Product description

Luminaire made of aluminium alloy, aluminium and stainless steel
Synthetic cover with optical structure
Silicone gasket
Reflector surface made of pure aluminium
For pole top \varnothing 76 mm
Slip fitter insert depth 137 mm
Connecting cable X05BQ-F 4 x 1[□]
Cable length 10 m
LED power supply unit
220-240 V \sim 0/50-60 Hz
DC 176-264 V
During DC operation the LED power is reduced to 50 %
DALI controllable
A basic isolation exists between power cable and control line
Safety class II
Protection class IP 65
Dust-tight and protection against water jets
Impact strength IK03
Protection against mechanical impacts < 0.35 joule
 – Safety mark
 – Conformity mark
Horizontal wind catching area: 0.15 m²

Lamp

Module connected wattage 46.4 W
Luminaire connected wattage 51.6 W
Rated temperature $t_a = 25^\circ\text{C}$
Ambient temperature $t_{a\text{max}} = 40^\circ\text{C}$

84 148 K4

Module designation LED-0879/840 + LED-0880/840
Colour temperature 4000 K
Colour rendering index CRI > 80
Module luminous flux 9280 lm
Luminaire luminous flux 4933 lm
Luminaire luminous efficiency 95,6 lm/W

84 148 K3

Module designation LED-0879/830 + LED-0880/830
Colour temperature 3000 K
Colour rendering index CRI > 80
Module luminous flux 9020 lm
Luminaire luminous flux 4795 lm
Luminaire luminous efficiency 92,9 lm/W

Service life of the LED

Ambient temperature $t_a = 25^\circ\text{C}$
– at 396,000h: L70B50

max. ambient temperature $t_a = 40^\circ\text{C}$
– at 158,000h: L70B50

Ambient temperature $t_{a\text{max}} = 50^\circ\text{C}$ (80 %)
LED psu: 50,000h
LED module: 50,000h

BEGA Thermal Control® protects temperature-sensitive luminaire components by temporarily limiting the nominal power at high temperatures.

Inrush current

Inrush current: 5 A / 100 μs
Maximum number of luminaires of this type per miniature circuit breaker:
B 10A: 27 luminaires
B 16A: 44 luminaires
C 10A: 27 luminaires
C 16A: 44 luminaires

Light technique

Luminaire data for the light planning program DIALux for outdoor lighting, street lighting and indoor lighting as well as luminaire data in EULUMDAT- and IES-format you will find on the BEGA web page www.bega.com.

Article No. 84 148

LED colour temperature optionally 4000 K or 3000 K
4000 K – Article number + **K4**
3000 K – Article number + **K3**

Colour graphite or silver
graphite – article number
silver – article number + **A**

Accessories

For this luminaire we recommend the following BEGA luminaire poles:

Tapered steel poles without visible welding seam - hot-dip galvanised and lacquered with access door and C-clamp

70 886	Pole with anch.section	H 5000 mm
70 834	Pole with anch.section	H 6000 mm
70 835	Pole with anch.section	H 7000 mm
70 836	Pole with anch.section	H 8000 mm
70 836	Pole with anch.section	H 9000 mm

Tapered steel luminaire poles longitudinally seam-welded · hot-dip galvanised and lacquered with access door and C rail

71 002	Pole with anch.section	H 6000 mm
71 004	Pole with anch.section	H 7000 mm
71 006	Pole with anch.section	H 8000 mm
71 008	Pole with anch.section	H 9000 mm

For suitable connection boxes please see the instructions for use of the luminaire poles.

Light distribution

