

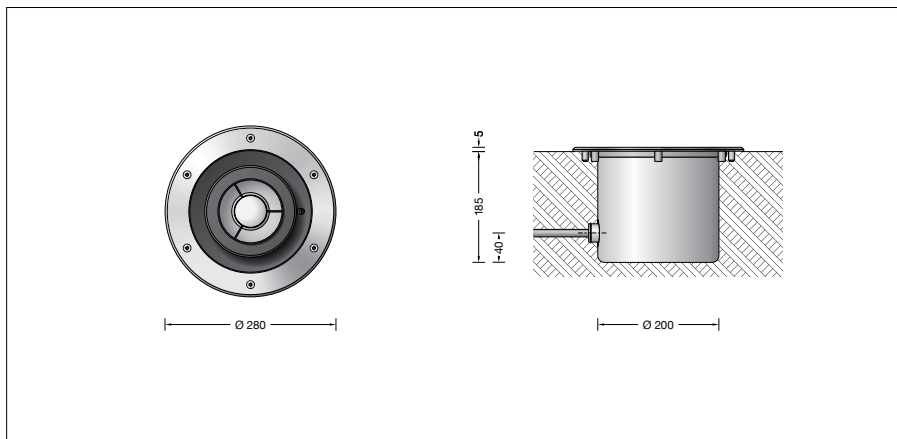
BEGA**84 115**

In-ground luminaire



Project · Reference number

Date



Product data sheet

Application

Narrow beam in-ground floodlight with swivel-mounted and rotatable optical system. Luminaire for installation in gravel, lawns, beds and compacted non-inflammable surface. Drive-over luminaire for vehicles with pneumatic tyres.

Please note:

Luminaire must not be used for installation in road lanes, where the fixture is exposed to a horizontal strain due to braking, acceleration and change of direction.

For walk-through public areas, we recommend skid-blocking glass – see accessories.

Product description

Luminaire made of stainless steel
Steel grade no. 1.4301
Clear safety glass
Stray light lens tube with integral silicone lens
Reflector surface made of pure aluminium
1,8 m water-resistant connecting cable
07RN8-F 5G 1[□] with implemented water stopper and 1.2 m PVC cable conduit
LED power supply unit
220-240 V ~ 0/50-60 Hz
DC 176-276 V
DALI controllable
A basic isolation exists between power cable and control line
Safety class I
Protection class IP 68 10 m
Dust-tight and water pressure tight
Maximum submersion depth 10 m
Pressure load 2,000 kg (20 kN)
Impact strength IK10
Protection against mechanical impacts < 20 joule
Maximum surface temperature 35 °C (measured according to EN 60598 of $t_a = 15$ °C)

CE – Conformity mark

– Safety mark

Weight: 5.6 kg

Lamp

Module connected wattage 18.5 W
Luminaire connected wattage 21 W
Rated temperature $t_a = 25$ °C
Ambient temperature $t_{a \max} = 30$ °C

On request we can offer you modifications for environments with higher temperatures as a customized product.

84 115 K4

Module designation LED-0713/840
Colour temperature 4000 K
Colour rendering index CRI > 80
Module luminous flux 2700 lm
Luminaire luminous flux 1221 lm
Luminaire luminous efficiency 58,1 lm/W

84 115 K3

Module designation LED-0713/830
Colour temperature 3000 K
Colour rendering index CRI > 80
Module luminous flux 2620 lm
Luminaire luminous flux 1185 lm
Luminaire luminous efficiency 56,4 lm/W

Service life of the LED

Ambient temperature $t_a = 25$ °C
– at 160,000h: L70B50

max. ambient temperature $t_a = 30$ °C
– at 145,000h: L70B50

Lighting technology

Half beam angle 9°
Luminaire data for the light planning program DIALux for outdoor lighting, street lighting and interior lighting as well as luminaire data in EULUMDAT and IES format are available on our website www.bega.com.

Inrush current

Inrush current: 12 A / 24.2 μ s
Maximum number of luminaires of this type per miniature circuit breaker:
B 10A: 50 luminaires
B 16A: 50 luminaires
C 10A: 50 luminaires
C 16A: 50 luminaires

Article No. 84 115

LED colour temperature optionally 4000K or 3000K
4000 K – Article number + **K4**
3000 K – Article number + **K3**

We supply this luminaire with skid-blocking glass which is denoted by **R** after the article number.

Accessories

14001088R Skid-blocking glass
BEGA skid-blocking glass with the highest rating R 13 according to DIN 51130 can be used without restriction for all public areas.
Abrasion resistance according to EN ISO 10545-7 Class 3

70 694 Installation housing made of stainless steel

Distribution box for installation in soil
70 730 Distribution box with 7 cable entries
Connection terminals 5 x 4[□]

71 053 Distribution box with 10 cable entries
Connection terminals 6 x 16[□]

For the accessories a separate instructions for use can be provided upon request.

Light distribution

