

BEGA**84 077**

Garden luminaire



Project · Reference number

Date

Product data sheet

Application

Garden luminaire made of copper and opal glass.
Luminaire for lighting gardens in private areas.
A luminaire distinguished by a high corrosion resistance.

Product description

Luminaire made of copper,
brass and stainless steel
Opal glass with screw neck
Silicone gasket
Baseplate made of bronze alloy
Luminaire with mounting plate for bolting onto a
foundation or an anchorage unit
Mounting plate with 3 fixing holes
ø 8.5 mm · Pitch circle ø 100 mm
Mounting bracket with connection box and
3-pole terminal 4² for connection of
mains supply cable max. 3 × 2.5²
LED power supply unit
220-240 V ~ 0/50-60 Hz
DC 170-276 V
Safety class I
Protection class IP 65
Dust-tight and protection against water jets
Impact strength IK03
Protection against mechanical
impacts < 0.35 joule
 – Safety mark
CE – Conformity mark
Weight: 12.0 kg

Lamp

Module connected wattage	13.6 W
Luminaire connected wattage	16 W
Rated temperature	$t_a = 25\text{ °C}$
Ambient temperature	$t_{a\text{ max}} = 45\text{ °C}$

On request we can offer you modifications for
environments with higher temperatures as a
customized product.

84 077 K3

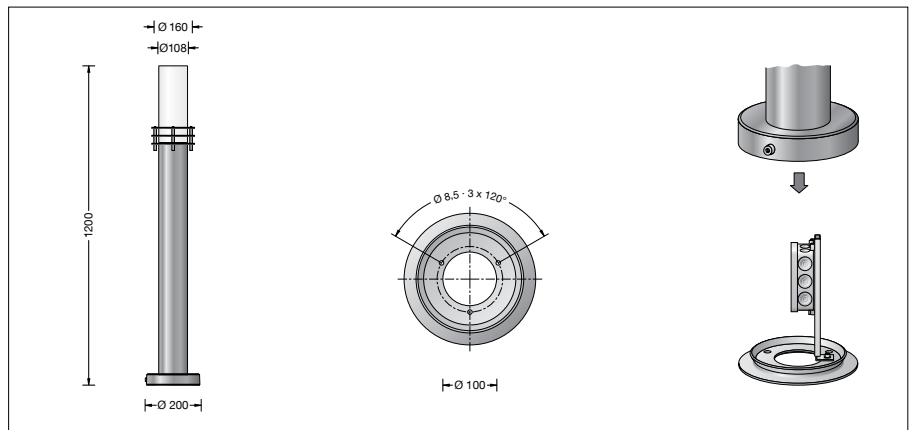
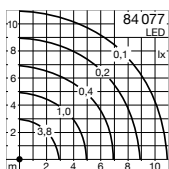
Module designation	2x LED-0425/930
Colour temperature	3000 K
Colour rendering index	CRI > 90
Module luminous flux	2170 lm
Luminaire luminous flux	1465 lm
Luminaire luminous efficiency	91,6 lm/W

Service life of the LED

Ambient temperature $t_a = 25\text{ °C}$
– at 367,000h: L70B50

max. ambient temperature $t_a = 45\text{ °C}$
– at 111,000h: L70B50

Light distribution



Inrush current

Inrush current: 5 A / 50 μ s
Maximum number of luminaires of this
type per miniature circuit breaker:
B10A: 31 luminaires
B16A: 50 luminaires
C10A: 52 luminaires
C16A: 85 luminaires

Copper

The luminaire parts made of solid copper are
delivered with the metal's natural surface colour.
Time and weather factors create the natural
patina characteristic for copper.

Light technique

Luminaire data for the light planning program
DIALux for outdoor lighting, street lighting and
indoor lighting as well as luminaire data in
EULUMDAT- and IES-format you will find on the
BEGA web page www.bega.com.

Accessory

70 895 Anchorage unit
with mounting flange made of hot-dip
galvanised steel. Total length 400 mm.
3 stainless steel fixing screws M8.
Pitch circle ø 100 mm.

See the separate instructions for use.