

BEGA**84 076**

Garden luminaire



Project · Reference number

Date

Product data sheet

Application

Garden luminaire made of copper and opal glass.
Luminaire for lighting gardens in private areas.
A luminaire distinguished by a high corrosion resistance.

Product description

Luminaire made of copper,
brass and stainless steel
Baseplate made of bronze alloy
Opal glass with screw neck
Silicone gasket
Mounting plate with 3 fixing holes
 \varnothing 8.5 mm · Pitch circle \varnothing 100 mm
Mounting bracket with connection box and
3-pole terminal 4[□] for connection of
mains supply cable max. $3 \times 2.5^{\square}$
LED power supply unit
220-240 V \sim 0/50-60 Hz
DC 176-264 V
Safety class I
Protection class IP 65
Dust-tight and protection against water jets
Impact strength IK04
Protection against mechanical
impacts < 0.5 joule
 – Safety mark
CE – Conformity mark
Weight: 6.0 kg

Inrush current

Inrush current: 7 A / 112 μ s
Maximum number of luminaires of this
type per miniature circuit breaker:
B10A: 38 luminaires
B16A: 61 luminaires
C10A: 64 luminaires
C16A: 102 luminaires

Lamp

Module connected wattage	3.8 W
Luminaire connected wattage	4.9 W
Rated temperature	$t_a = 25$ °C
Ambient temperature	$t_{a \max} = 50$ °C

84 076 K3

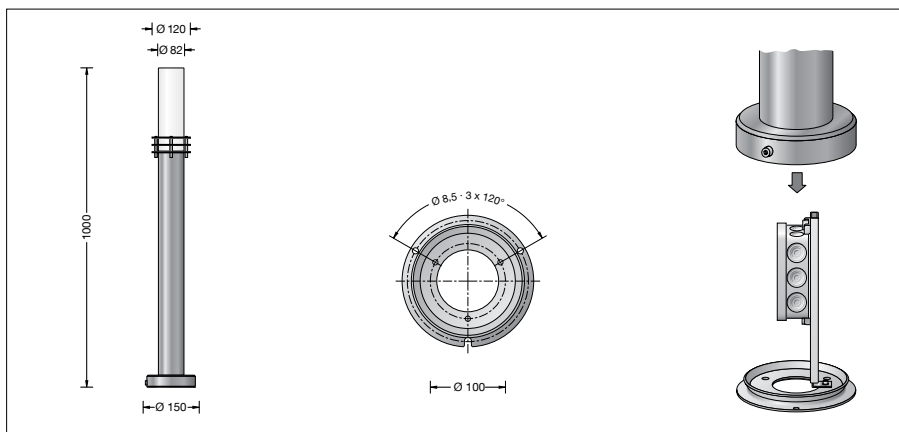
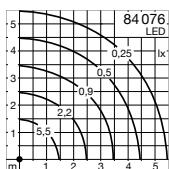
Module designation	2x LED-0253/830
Colour temperature	3000 K
Colour rendering index	CRI > 80
Module luminous flux	740 lm
Luminaire luminous flux	500 lm
Luminaire luminous efficiency	102 lm/W

Service life of the LED

Ambient temperature $t_a = 25$ °C
– at > 500,000h: L70B50

max. ambient temperature $t_a = 50$ °C
– at 236,000h: L70B50

Light distribution



Light technique

Luminaire data for the light planning program
DIALux for outdoor lighting, street lighting and
indoor lighting as well as luminaire data in
EULUMDAT- and IES-format you will find on the
BEGA web page www.bega.com.

Accessory

70 895 Anchorage unit
with mounting flange made of hot-dip
galvanised steel. Total length 400 mm.
3 stainless steel fixing screws M8.
Pitch circle \varnothing 100 mm.

See the separate instructions for use.