

**BEGA****84 069**

Garden luminaire

IP 65

Project · Reference number

Date

## Product data sheet

### Application

Garden luminaire made of copper and opal glass.  
A luminaire distinguished by a high corrosion resistance.

Luminaire for lighting gardens in private areas.  
Ideal for places where a soft and uniform light distribution is required.

### Product description

Luminaire made of copper,  
brass and stainless steel  
Baseplate made of bronze alloy  
Opal glass with screw neck  
Silicone gasket  
Mounting plate with 3 fixing holes  
ø 8.5 mm · Pitch circle ø 100 mm  
Mounting bracket with connection box and  
3-pole terminal 4<sup>2</sup> for connection of  
mains supply cable max. 3 × 2.5<sup>2</sup>  
Lampholder E 14  
Safety class I  
Protection class IP 65  
Dust-tight and protection against water jets  
Impact strength IK04  
Protection against mechanical  
impacts < 0.5 joule  
CE – Conformity mark  
Weight: 6.4 kg

### Copper

The luminaire parts made of solid copper are  
delivered with the metal's natural surface colour.  
Time and weather factors create the natural  
patina characteristic for copper.

### Lamp

Luminaire with lampholder E 14  
Lamp output max. 60 W

For this luminaire we recommend the following  
BEGA LED lamps:

**13 552** LED 4 W · 470 lm · 2700 K

**13 554** LED 5 W · 470 lm · 2700 K  
dimmable

**13 594** LED 4 W · 470 lm · 3000 K

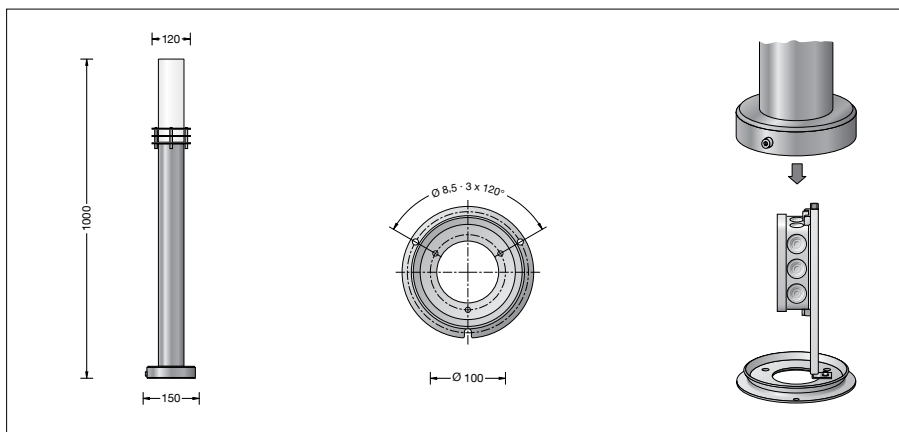
**13 596** LED 5 W · 470 lm · 3000 K  
dimmable

Radio-controlled version (Zigbee 3.0):

**13 558** LED 2,3 W · 470 lm · 2700 K  
dimmable

**13 559** LED 5,8 W · 470 lm · 2700 - 6500 K  
dimmable · tunable white

Detailed technical and lighting data for the  
lamps can be found in the data sheets on our  
website.



### Accessories

**70 895** Anchorage unit  
Anchorage unit with mounting flange made  
of galvanised steel. Total length 400 mm.  
3 stainless steel fixing screws M8.  
Pitch circle ø 100 mm.

See the separate instructions for use.