

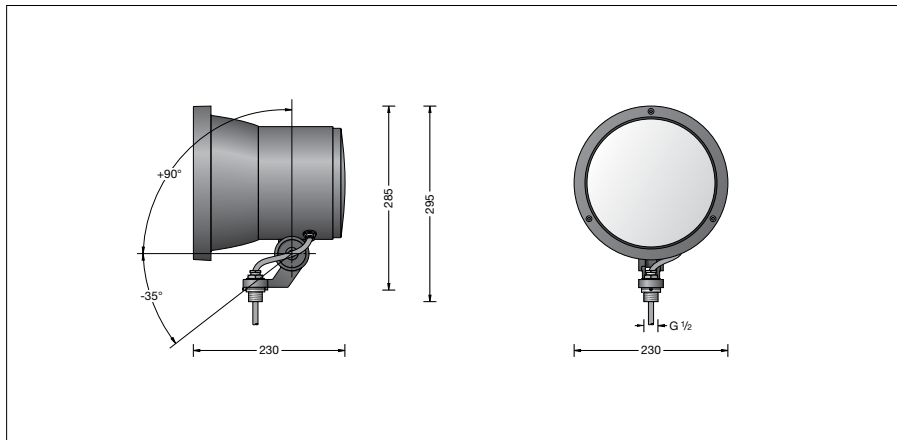
BEGA**77 797**

Compact floodlight



Project · Reference number

Date



Product data sheet

Application

LED floodlight with G $\frac{1}{2}$ mounting bush.
The floodlight can be bolted together with any female thread G $\frac{1}{2}$ according to ISO 228 supplied by others or to BEGA accessories. For a variety of interior and exterior lighting applications.

Product description

Luminaire made of aluminium alloy, aluminium and stainless steel
Clear safety glass
Silicone gasket
Reflector made of pure anodised aluminium
Rotation range of floodlight 350°
Swivel range -35°/+90°
Mounting bracket with G $\frac{1}{2}$ threaded connection
Thread length: 14 mm
Connecting cable X05BQ-F 5G1 \square
Cable length 1 m
LED power supply unit
220-240 V \sim 0/50-60 Hz
DC 176-280 V
During DC operation the LED power is reduced to 15 %
DALI controllable
A basic isolation exists between power cable and control line
Safety class I
Protection class IP 65
Dust-tight and protection against water jets
Impact strength IK07
Protection against mechanical impacts < 2 joule
 – Safety mark
CE – Conformity mark
Wind catching area: 0.05 m 2
Weight: 4.0 kg

Lamp

Module connected wattage	71.1 W
Luminaire connected wattage	77.2 W
Rated temperature	$t_a = 25 \text{ }^\circ\text{C}$
Ambient temperature	$t_{a \text{ max}} = 30 \text{ }^\circ\text{C}$

On request we can offer you modifications for environments with higher temperatures as a customized product.

77 797 K4

Module designation	LED-0442/940
Colour temperature	4000 K
Colour rendering index	CRI > 90
Module luminous flux	10710 lm
Luminaire luminous flux	7878 lm
Luminaire luminous efficiency	102 lm/W

77 797 K3

Module designation	LED-0442/930
Colour temperature	3000 K
Colour rendering index	CRI > 90
Module luminous flux	10550 lm
Luminaire luminous flux	7761 lm
Luminaire luminous efficiency	100,5 lm/W

Service life of the LED

Ambient temperature $t_a = 25 \text{ }^\circ\text{C}$
– at 220,000h: L70B50

max. ambient temperature $t_a = 30 \text{ }^\circ\text{C}$
– at 200,000h: L70B50

Inrush current

Inrush current: 50 A / 209 μs
Maximum number of luminaires of this type per miniature circuit breaker:
B 10A: 6 luminaires
B 16A: 10 luminaires
C 10A: 10 luminaires
C 16A: 16 luminaires

Light technique

Symmetrical wide beam light distribution
Half beam angle 50°
For special lighting tasks the symmetrical light cone can be changed to a flat beam light distribution by an additional the diffuser lens.

Article No. 77 797

LED colour temperature optionally 4000 K or 3000 K
4000 K – Article number + **K4**
3000 K – Article number + **K3**

Colour graphite or silver
graphite – article number
silver – article number + **A**

Accessories

70 758 Shield
70 065 Exchangeable lens flat beam
70 214 Pole cap for pole \varnothing 48 mm
70 248 Pole cap for pole \varnothing 60 mm
70 245 Mounting box
70 252 Tree screw
70 280 Tube clamp G $\frac{1}{2}$
70 283 Screw clamp
70 379 Outrigger arm G $\frac{1}{2}$
70 889 Tension belt

For the accessories a separate instructions for use can be provided upon request.

Light distribution