

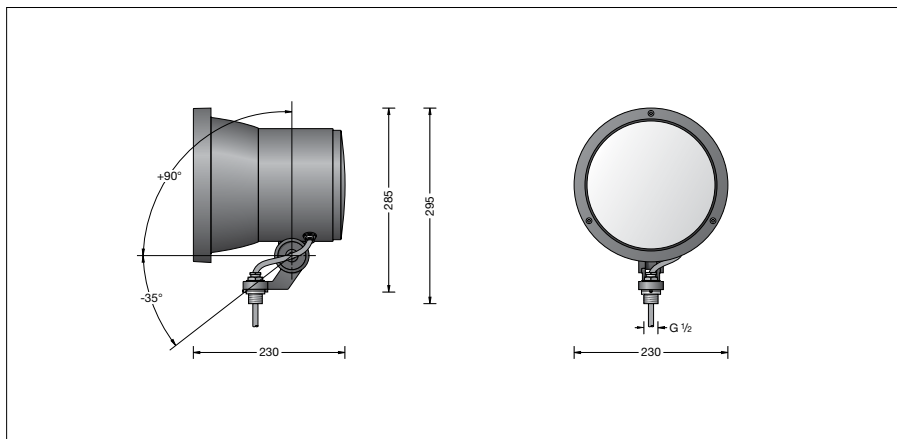
BEGA**77 793**

Compact floodlight



Project · Reference number

Date



Product data sheet

Application

LED floodlight with G $\frac{1}{2}$ mounting bush.
The floodlight can be bolted together with any female thread G $\frac{1}{2}$ according to ISO 228 supplied by others or to BEGA accessories. For a variety of interior and exterior lighting applications.

Product description

Luminaire made of aluminium alloy, aluminium and stainless steel
Clear safety glass
Silicone gasket
Reflector made of pure anodised aluminium
Stray light lens tube with integral glass lens
Rotation range of floodlight 350°
Swivel range -35°/+90°
Mounting bracket with G $\frac{1}{2}$ threaded connection
Thread length: 14 mm
Connecting cable X05BQ-F 5 G 1 □
Cable length 1 m
LED power supply unit
220-240 V \sphericalangle 0/50-60 Hz
DC 176-280 V
During DC operation the LED power is reduced to 15 %
DALI controllable
A basic isolation exists between power cable and control line
Safety class I
Protection class IP 65
Dust-tight and protection against water jets
Impact strength IK07
Protection against mechanical impacts < 2 joule
 – Safety mark
 – Conformity mark
Wind catching area: 0.05 m²
Weight: 4.4 kg

Lamp

Module connected wattage 71.1 W
Luminaire connected wattage 77.2 W
Rated temperature $t_a = 25\text{ °C}$
Ambient temperature $t_{a,max} = 30\text{ °C}$

77 793 K4

Module designation LED-0442/940
Colour temperature 4000 K
Colour rendering index CRI > 90
Module luminous flux 10710 lm
Luminaire luminous flux 5662 lm
Luminaire luminous efficiency 73,3 lm/W

77 793 K3

Module designation LED-0442/930
Colour temperature 3000 K
Colour rendering index CRI > 90
Module luminous flux 10550 lm
Luminaire luminous flux 5577 lm
Luminaire luminous efficiency 72,2 lm/W

Service life of the LED

Ambient temperature $t_a = 25\text{ °C}$
– at 220,000 h: L 70 B 50

max. ambient temperature $t_a = 30\text{ °C}$
– at 200,000 h: L 70 B 50

Ambient temperature $t_{a,max} = 50\text{ °C}$ (20 %)
LED psu: 50,000 h
LED module: 50,000 h

BEGA Thermal Control® protects temperature-sensitive luminaire components by temporarily limiting the nominal power at high temperatures.

Inrush current

Inrush current: 50 A / 209 μ s
Maximum number of luminaires of this type per miniature circuit breaker:
B 10A: 6 luminaires
B 16A: 10 luminaires
C 10A: 10 luminaires
C 16A: 16 luminaires

Light technique

Floodlight with narrow beam rotationally symmetrical light distribution with integrated louvre for stray light suppression. Half beam angle 17°
For special lighting tasks the symmetrical light cone can be changed to a flat beam light distribution by an additional the diffuser lens.

Article No. 77 793

LED colour temperature optionally 4000K or 3000K
4000 K – Article number + **K4**
3000 K – Article number + **K3**

Colour graphite or silver
graphite – article number
silver – article number + **A**

Accessories

70 758 Shield
70 077 Exchangeable lens flat beam
70 214 Pole cap for pole \varnothing 48 mm
70 248 Pole cap for pole \varnothing 60 mm
70 245 Mounting box
70 252 Tree screw
70 280 Tube clamp G $\frac{1}{2}$
70 283 Screw clamp
70 379 Outrigger arm G $\frac{1}{2}$
70 889 Tension belt

For the accessories a separate instructions for use can be provided upon request.

Light distribution