

**BEGA****77 735**

Surface-mounted luminaire



Project · Reference number

Date

## Product data sheet

### Application

LED surface-mounted luminaire with single-sided flat beam light distribution to illuminate surfaces and paths.

### Product description

Luminaire made of aluminium alloy, aluminium and stainless steel  
 BEGA Unidure® coating technology  
 Silicate glass with optical structure  
 Luminaire with mounting plate for bolting onto a foundation or an anchorage unit  
 Mounting plate with 3 elongated holes, Width 7 mm, Pitch circle  $\varnothing$  70 mm  
 Luminaire can be aligned on the mounting plate around 360°  
 Mounting bracket with connection box and 3-pole terminal 4<sup>2</sup> for connection of mains supply cable max. 3 x 2.5<sup>2</sup>  
 LED power supply unit  
 220-240 V  $\sim$  0/50-60 Hz  
 DC 198-264 V  
 BEGA Thermal Switch®  
 Temporary thermal shutdown to protect temperature-sensitive components  
 Safety class I  
 Protection class IP 65  
 Dust-tight and protection against water jets  
 Impact strength IK02  
 Protection against mechanical impacts < 0.2 joule  
 – Safety mark  
 – Conformity mark  
 Weight: 4.4 kg

### Inrush current

Inrush current: 27 A / 250  $\mu$ s  
 Maximum number of luminaires of this type per miniature circuit breaker:  
 B 10A: 17 luminaires  
 B 16A: 27 luminaires  
 C 10A: 28 luminaires  
 C 16A: 45 luminaires

### Lamp

Module connected wattage	8.7 W
Luminaire connected wattage	11 W
Rated temperature	$t_a = 25^\circ\text{C}$
Ambient temperature	$t_{a\text{max}} = 45^\circ\text{C}$

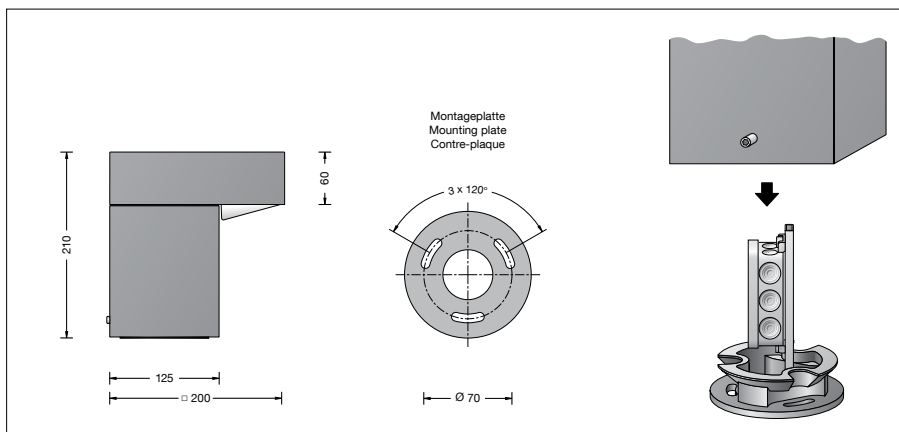
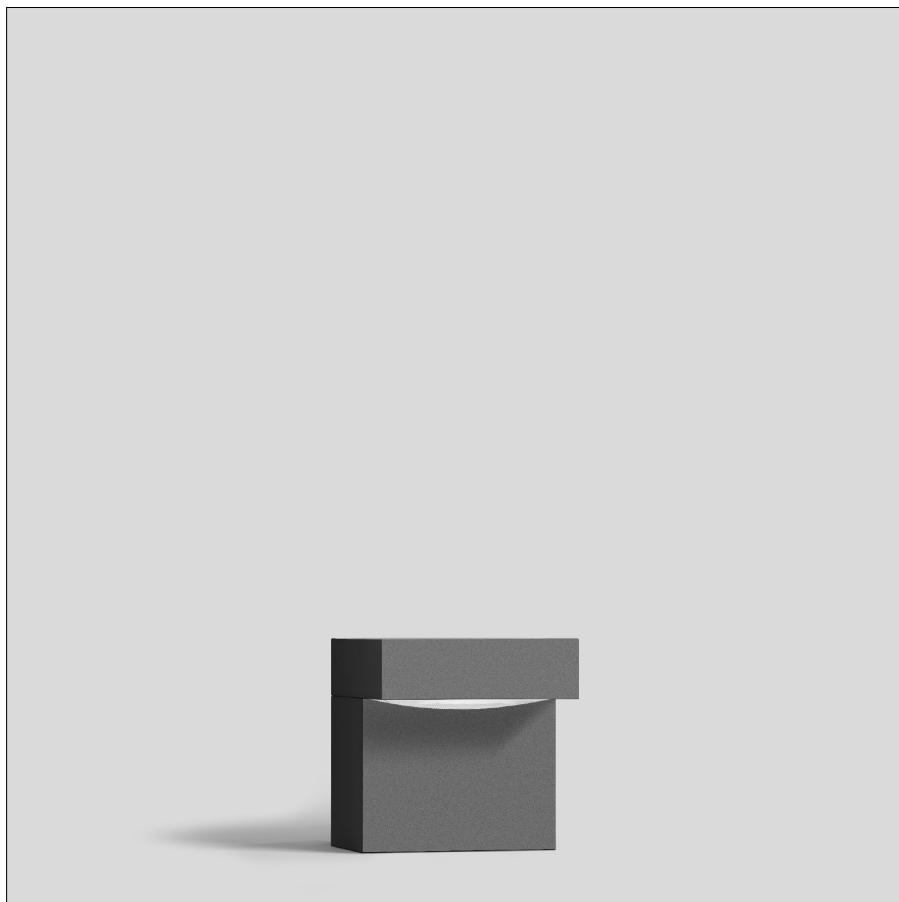
On request we can offer you modifications for environments with higher temperatures as a customized product.

### 77 735 K3

Module designation	3x LED-0233/830
Colour temperature	3000 K
Colour rendering index	CRI > 80
Module luminous flux	1230 lm
Luminaire luminous flux	470 lm
Luminaire luminous efficiency	42,7 lm/W

### 77 735 K4

Module designation	3x LED-0233/840
Colour temperature	4000 K
Colour rendering index	CRI > 80
Module luminous flux	1230 lm
Luminaire luminous flux	470 lm
Luminaire luminous efficiency	42,7 lm/W



### Service life · Ambient temperature

Rated temperature $t_a = 25^\circ\text{C}$	
LED psu:	> 50,000 h
LED module:	> 200,000 h (L80 B50)
	100,000 h (L90 B50)
Ambient temperature $t_{a\text{max}} = 45^\circ\text{C}$ (100 %)	
LED psu:	50,000 h
LED module:	59,000 h (L80 B50)
	89,000 h (L70 B50)

### Article No. 77 735

LED colour temperature optionally 3000 K or 4000 K  
 3000 K – Article number + **K3**  
 4000 K – Article number + **K4**  
 Colour graphite or silver  
 graphite – article number  
 silver – article number + **A**

### Accessory

**70 894** Anchorage unit  
 Anchorage unit with mounting flange made of galvanised steel. Total length 400 mm.  
 3 stainless steel fixing screws M 6.  
 Pitch circle  $\varnothing$  70 mm.

See the separate instructions for use.