

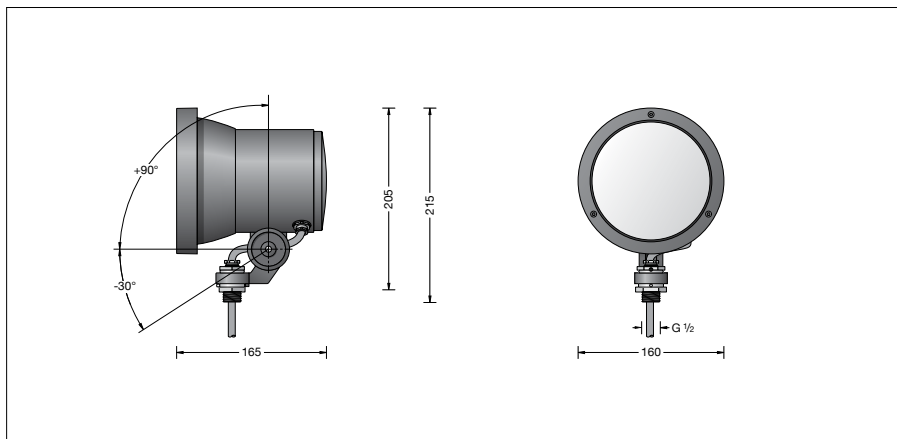
BEGA**77 705**

Compact floodlight



Project · Reference number

Date



Product data sheet

Product description

Luminaire made of aluminium alloy, aluminium and stainless steel
 BEGA Unidure® coating technology
 Clear safety glass
 Silicone gasket
 Reflector made of pure anodised aluminium
 Rotation range of floodlight 350°
 Swivel range -30°/+90°
 Mounting bracket with G $\frac{1}{2}$ threaded connection
 Thread length: 14 mm
 Connecting cable X05BQ-F 5 G 1 □
 Cable length 1 m
 LED power supply unit
 220-240 V \approx 0/50-60 Hz
 DC 176-276 V
 DALI controllable
 A basic isolation exists between power cable and control line
 BEGA Thermal Control®
 Temporary thermal regulation to protect temperature-sensitive components without switching off the luminaire
 Safety class I
 Protection class IP 65
 Dust-tight and protection against water jets
 Impact strength IK06
 Protection against mechanical impacts < 1 joule
 CE – Conformity mark
 – Safety mark
 Wind catching area: 0.022 m²
 Weight: 2.2 kg

Application

LED floodlight with G $\frac{1}{2}$ mounting bush.
 The floodlight can be bolted together with any female thread G $\frac{1}{2}$ according to ISO 228 supplied by others or to BEGA accessories. For a variety of interior and exterior lighting applications.

Lamp

Module connected wattage 21.5 W
 Luminaire connected wattage 24 W
 Rated temperature $t_a = 25 \text{ }^\circ\text{C}$
 Ambient temperature $t_{a, \text{max}} = 30 \text{ }^\circ\text{C}$

77 705 K4

Module designation LED-0974/940
 Colour temperature 4000 K
 Colour rendering index CRI > 90
 Module luminous flux 2545 lm
 Luminaire luminous flux 1930 lm
 Luminaire luminous efficiency 80,4 lm/W

77 705 K3

Module designation LED-0974/930
 Colour temperature 3000 K
 Colour rendering index CRI > 90
 Module luminous flux 2455 lm
 Luminaire luminous flux 1863 lm
 Luminaire luminous efficiency 77,6 lm/W

Service life · Ambient temperature

Rated temperature $t_a = 25 \text{ }^\circ\text{C}$
 LED psu: > 50,000 h
 LED module: 187,000 h (L 80 B 50)
 100,000 h (L 90 B 50)

Ambient temperature $t_{a, \text{max}} = 30 \text{ }^\circ\text{C}$ (100 %)
 LED psu: 50,000 h
 LED module: 136,000 h (L 80 B 50)

Inrush current

Inrush current: 12 A / 24.2 μs
 Maximum number of luminaires of this type per miniature circuit breaker:
 B 10A: 50 luminaires
 B 16A: 50 luminaires
 C 10A: 50 luminaires
 C 16A: 50 luminaires

Light technique

Broad spread light distribution.
 Half beam angle 43°
 By changing the diffuser lens it is possible to alter the symmetrical light distribution into a flat beam light distribution.
 Luminaire data for the light planning program DIALux for outdoor lighting, street lighting and indoor lighting, as well as luminaire data in EULUMDAT and IES format are available on the BEGA website at www.bega.com.

Article No. 77 705

LED colour temperature optionally 4000 K or 3000 K
 4000 K – Article number + **K4**
 3000 K – Article number + **K3**

Colour graphite or silver
 graphite – article number
 silver – article number + **A**

Accessories

70 757 Shield
70 060 Exchangeable lens flat beam
70 204 Earth spike
70 214 Pole cap for pole \varnothing 48 mm
70 248 Pole cap for pole \varnothing 60 mm
70 245 Mounting box
70 252 Tree screw
70 280 Tube clamp G $\frac{1}{2}$
70 283 Screw clamp
70 379 Outrigger arm G $\frac{1}{2}$
70 889 Tension belt

For the accessories a separate instructions for use can be provided upon request.

Light distribution