

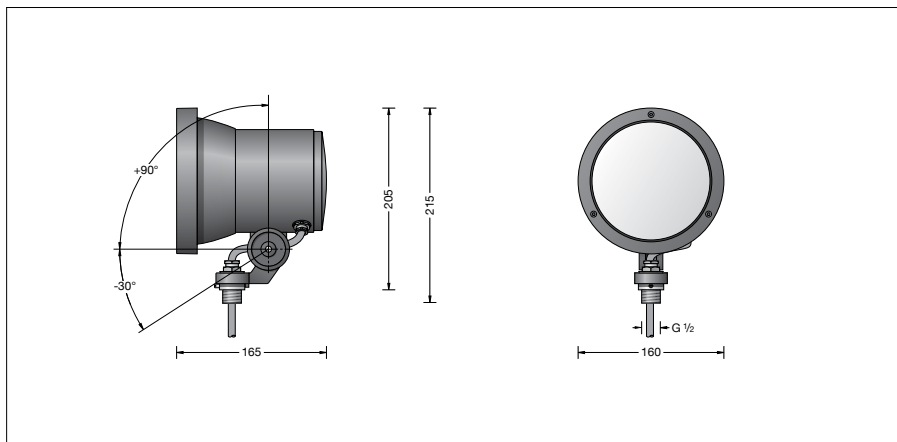
**BEGA****77 704**

Compact floodlight



Project · Reference number

Date



## Product data sheet

**Product description**

Luminaire made of aluminium alloy, aluminium and stainless steel  
 BEGA Unidure® coating technology  
 Clear safety glass  
 Silicone gasket  
 Reflector made of pure anodised aluminium  
 Rotation range of floodlight  $350^\circ$   
 Swivel range  $-30^\circ/+90^\circ$   
 Mounting bracket with  $G \frac{1}{2}$  threaded connection  
 Thread length: 14 mm  
 Connecting cable X05BQ-F 5 G 1 □  
 Cable length 1 m  
 LED power supply unit  
 220-240 V  $\sim$  0/50-60 Hz  
 DC 176-276 V  
 DALI controllable  
 A basic isolation exists between power cable and control line  
 BEGA Thermal Control®  
 Temporary thermal regulation to protect temperature-sensitive components without switching off the luminaire  
 Safety class I  
 Protection class IP 65  
 Dust-tight and protection against water jets  
 Impact strength IK06  
 Protection against mechanical impacts < 1 joule  
 – Safety mark  
 – Conformity mark  
 Wind catching area: 0.022 m<sup>2</sup>  
 Weight: 2.1 kg

**Application**

LED floodlight with  $G \frac{1}{2}$  mounting bush.  
 The floodlight can be bolted together with any female thread  $G \frac{1}{2}$  according to ISO 228 supplied by others or to BEGA accessories.  
 For a variety of interior and exterior lighting applications.

**Lamp**

Module connected wattage	21.5 W
Luminaire connected wattage	24 W
Rated temperature	$t_a = 25^\circ\text{C}$
Ambient temperature	$t_{a\text{max}} = 30^\circ\text{C}$

**77 704 K4**

Module designation	LED-0974/940
Colour temperature	4000 K
Colour rendering index	CRI > 90
Module luminous flux	2545 lm
Luminaire luminous flux	2003 lm
Luminaire luminous efficiency	83,5 lm/W

**77 704 K3**

Module designation	LED-0974/930
Colour temperature	3000 K
Colour rendering index	CRI > 90
Module luminous flux	2455 lm
Luminaire luminous flux	1932 lm
Luminaire luminous efficiency	80,5 lm/W

**Service life · Ambient temperature**

Rated temperature $t_a = 25^\circ\text{C}$	
LED psu:	> 50,000 h
LED module:	187,000 h (L.80 B50)
	100,000 h (L.90 B50)

Ambient temperature  $t_{a\text{max}} = 30^\circ\text{C}$  (100 %)

LED psu:	50,000 h
LED module:	136,000 h (L.80 B50)

**Inrush current**

Inrush current: 12 A / 24.2  $\mu\text{s}$   
 Maximum number of luminaires of this type per miniature circuit breaker:

B 10A:	50 luminaires
B 16A:	50 luminaires
C 10A:	50 luminaires
C 16A:	50 luminaires

**Lighting technology**

Symmetrical narrow beam light distribution.  
 Half beam angle  $29^\circ$   
 By changing the diffuser lens it is possible to alter the symmetrical light distribution into a flat beam light distribution.  
 Luminaire data for the light planning program DIALux for outdoor lighting, street lighting and indoor lighting, as well as luminaire data in EULUMDAT and IES format are available on the BEGA website at [www.bega.com](http://www.bega.com).

**Article No. 77 704**

LED colour temperature optionally 4000 K or 3000 K

4000 K – Article number + **K4**  
 3000 K – Article number + **K3**

Colour graphite or silver  
 graphite – article number  
 silver – article number + **A**

**Accessories**

<b>70 060</b>	Exchangeable lens flat beam
<b>70 757</b>	Shield
<b>70 796</b>	Louvre
<b>70 204</b>	Earth spike
<b>70 214</b>	Pole cap for pole $\varnothing$ 48 mm
<b>70 248</b>	Pole cap for pole $\varnothing$ 60 mm
<b>70 245</b>	Mounting box
<b>70 252</b>	Tree screw
<b>70 280</b>	Tube clamp $G \frac{1}{2}$
<b>70 283</b>	Screw clamp
<b>70 379</b>	Outrigger arm $G \frac{1}{2}$
<b>70 889</b>	Tension belt

For the accessories a separate instructions for use can be provided upon request.

**Light distribution**