

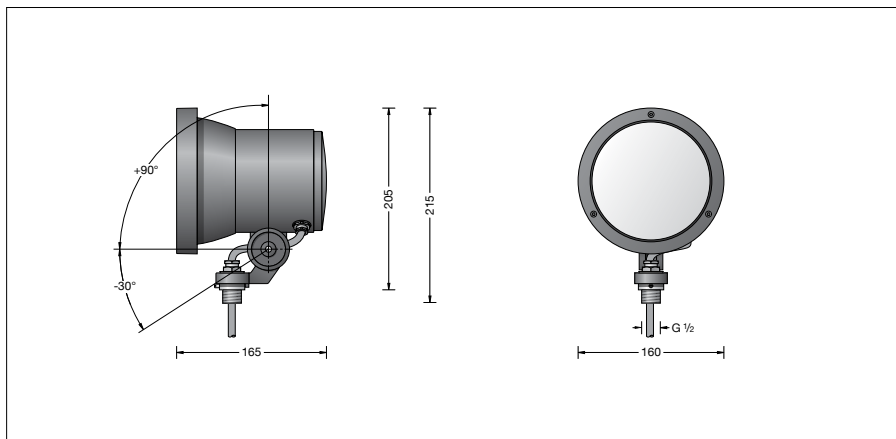
BEGA**77 703**

Compact floodlight



Project · Reference number

Date



Product data sheet

Application

LED floodlight with G $\frac{1}{2}$ mounting bush.
The floodlight can be bolted together with any female thread G $\frac{1}{2}$ according to ISO 228 supplied by others or to BEGA accessories. For a variety of interior and exterior lighting applications.

Product description

Luminaire made of aluminium alloy, aluminium and stainless steel
Clear safety glass
Silicone gasket
Reflector made of pure anodised aluminium
Inlying ring louvre made of stainless steel.
Rotation range of floodlight 350°
Swivel range $-30^\circ/+90^\circ$
Mounting bracket with G $\frac{1}{2}$ threaded connection
Thread length: 14 mm
Connecting cable X05BQ-F 5 G 1 □
Cable length 1 m
LED power supply unit
220-240 V \sim 0/50-60 Hz
DC 176-276 V
DALI controllable
A basic isolation exists between power cable and control line
Safety class I
Protection class IP 65
Dust-tight and protection against water jets
Impact strength IK06
Protection against mechanical impacts < 1 joule
 – Safety mark
CE – Conformity mark
Wind catching area: 0.022 m²
Weight: 2.2 kg

Lamp

Module connected wattage 12.5 W
Luminaire connected wattage 15 W
Rated temperature $t_a = 25^\circ\text{C}$
Ambient temperature $t_{a\text{max}} = 50^\circ\text{C}$

77 703 K4

Module designation LED-0724/840
Colour temperature 4000 K
Colour rendering index CRI > 80
Module luminous flux 1960 lm
Luminaire luminous flux 1111 lm
Luminaire luminous efficiency 74,1 lm/W

77 703 K3

Module designation LED-0724/830
Colour temperature 3000 K
Colour rendering index CRI > 80
Module luminous flux 1900 lm
Luminaire luminous flux 1077 lm
Luminaire luminous efficiency 71,8 lm/W

Service life · Ambient temperature

Rated temperature $t_a = 25^\circ\text{C}$
LED psu: > 50,000 h
LED module: > 200,000 h (L 80 B 50)

Ambient temperature $t_{a\text{max}} = 50^\circ\text{C}$ (100 %)

LED psu: 50,000 h
LED module: 145,000 h (L 80 B 50)

Inrush current

Inrush current: 12 A / 24.2 μs
Maximum number of luminaires of this type per miniature circuit breaker:
B 10A: 50 luminaires
B 16A: 50 luminaires
C 10A: 50 luminaires
C 16A: 50 luminaires

Light technique

Floodlight with narrow beam rotationally symmetrical light distribution with integrated glass lens for stray light suppression.
Half beam angle 9°

For special lighting tasks the symmetrical light cone can be changed to a flat beam light distribution by an additional the diffuser lens.

Article No. 77 703

LED colour temperature optionally 4000K or 3000K
4000 K – Article number + **K4**
3000 K – Article number + **K3**

Colour graphite or silver
graphite – article number
silver – article number + **A**

Accessories

70 076 Exchangeable lens flat beam
70 757 Shield
70 720 Cylindrical shield
70 204 Earth spike
70 214 Pole cap for pole \varnothing 48 mm
70 248 Pole cap for pole \varnothing 60 mm
70 245 Mounting box
70 252 Tree screw
70 280 Tube clamp G $\frac{1}{2}$
70 283 Screw clamp
70 379 Outrigger arm G $\frac{1}{2}$
70 889 Tension belt

For the accessories a separate instructions for use can be provided upon request.

Light distribution