

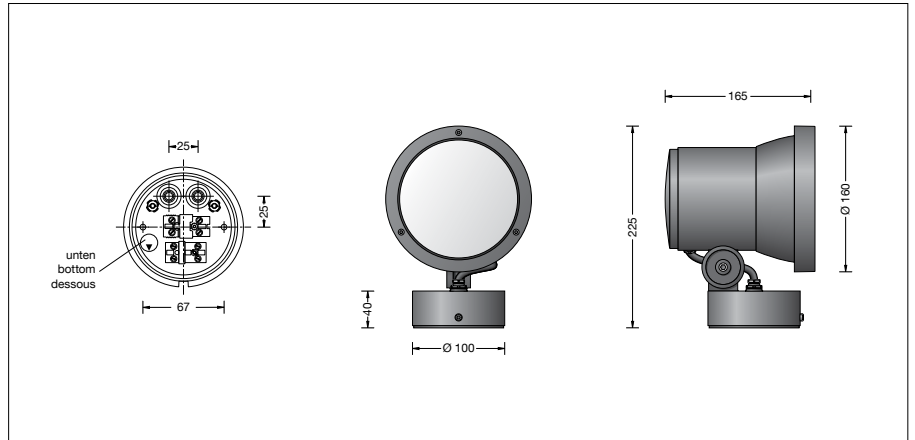
BEGA**77 702**

Compact floodlight



Project · Reference number

Date



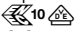

Product data sheet

Application

LED compact floodlight with mounting box for permanent installations on a wall, under a ceiling or on a pillar.

For a variety of interior and exterior lighting applications.

Product description

Luminaire made of aluminium alloy, aluminium and stainless steel
 Clear safety glass
 Silicone gasket
 Reflector made of pure anodised aluminium
 Rotation range of floodlight 350°
 Swivel range -15°/+90°
 Mounting box with 2 fixing holes
 ø 4.5 mm · 67 mm spacing
 2 cable entries for through-wiring of mains supply cable ø 7-10.5 mm, max. 5G 1.5²
 Connecting terminal 2.5²
 with plug connection
 Earth conductor connection
 LED power supply unit
 220-240 V ~ 0/50-60 Hz
 DC 176-276 V
 DALI controllable
 A basic isolation exists between power cable and control line
 Safety class I
 Protection class IP 65
 Dust-tight and protection against water jets
 Impact strength IK06
 Protection against mechanical impacts < 1 joule
 – Safety mark
 – Conformity mark
 Wind catching area: 0.022 m²
 Weight: 2.3 kg

Lamp

Module connected wattage	21.5 W
Luminaire connected wattage	24 W
Rated temperature	$t_a = 25\text{ °C}$
Ambient temperature	$t_{a,max} = 30\text{ °C}$

On request we can offer you modifications for environments with higher temperatures as a customized product.

77 702 K4

Module designation	LED-0974/940
Colour temperature	4000 K
Colour rendering index	CRI > 90
Module luminous flux	2545 lm
Luminaire luminous flux	1930 lm
Luminaire luminous efficiency	80,4 lm/W

77 702 K3

Module designation	LED-0974/930
Colour temperature	3000 K
Colour rendering index	CRI > 90
Module luminous flux	2455 lm
Luminaire luminous flux	1863 lm
Luminaire luminous efficiency	77,6 lm/W

Service life of the LED

Ambient temperature $t_a = 25\text{ °C}$
 – at 270,000h: L70B50

max. ambient temperature $t_a = 30\text{ °C}$
 – at 198,000h: L70B50

Inrush current

Inrush current: 12 A / 24.2 μs
 Maximum number of luminaires of this type per miniature circuit breaker:

B 10A:	50 luminaires
B 16A:	50 luminaires
C 10A:	50 luminaires
C 16A:	50 luminaires

Light technique

Broad spread light distribution.
 Half beam angle 43°
 By changing the diffuser lens it is possible to alter the symmetrical light distribution into a flat beam light distribution.
 Luminaire data for the light planning program DIALux for outdoor lighting, street lighting and indoor lighting, as well as luminaire data in EULUMDAT and IES format are available on the BEGA website at www.bega.com.

Article No. 77 702

LED colour temperature optionally 4000 K or 3000 K
 4000 K – Article number + **K4**
 3000 K – Article number + **K3**

Colour graphite or silver
 graphite – article number
 silver – article number + **A**

Accessories

70 757 Shield
70 060 Exchangeable lens flat beam

For the accessories a separate instructions for use can be provided upon request.

Light distribution