

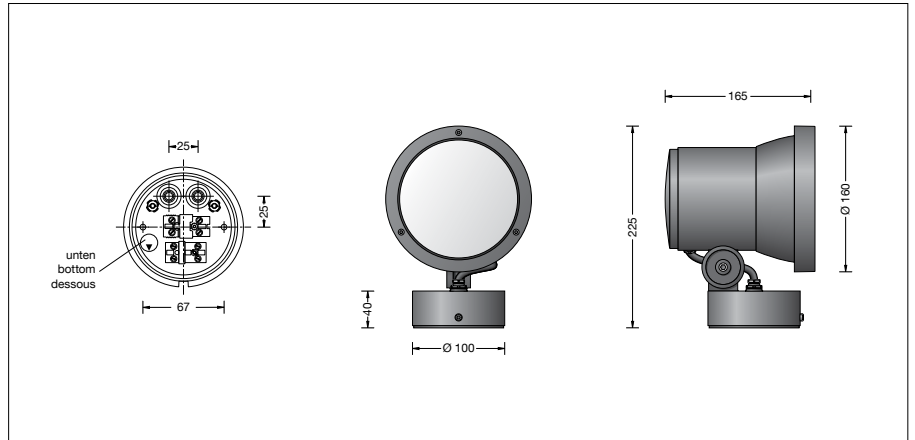
**BEGA****77 701**

Compact floodlight



Project · Reference number

Date



## Product data sheet

**Product description**

Luminaire made of aluminium alloy, aluminium and stainless steel  
 BEGA Unidure® coating technology  
 Clear safety glass  
 Silicone gasket  
 Reflector made of pure anodised aluminium  
 Rotation range of floodlight 350°  
 Swivel range -15°/+90°  
 Mounting box with 2 fixing holes  
 ø 4.5 mm · 67 mm spacing  
 2 cable entries for through-wiring of mains  
 supply cable ø 7-10.5 mm, max. 5 G 1.5<sup>2</sup>  
 Connecting terminal 2.5<sup>2</sup>  
 with plug connection  
 Earth conductor connection  
 LED power supply unit  
 220-240 V ~ 0/50-60 Hz  
 DC 176-276 V  
 DALI controllable  
 A basic isolation exists between power cable  
 and control line  
 BEGA Thermal Control®  
 Temporary thermal regulation to protect  
 temperature-sensitive components without  
 switching off the luminaire  
 Safety class I  
 Protection class IP 65  
 Dust-tight and protection against water jets  
 Impact strength IK06  
 Protection against mechanical  
 impacts < 1 joule  
 – Safety mark  
 – Conformity mark  
 Wind catching area: 0.022 m<sup>2</sup>  
 Weight: 2.3 kg

**Application**

LED compact floodlight with mounting box  
 for permanent installations on a wall, under a  
 ceiling or on a pillar.  
 For a variety of interior and exterior lighting  
 applications.

**Lamp**

Module connected wattage 21.5 W  
 Luminaire connected wattage 24 W  
 Rated temperature  $t_a = 25\text{ °C}$   
 Ambient temperature  $t_{a\text{max}} = 30\text{ °C}$

**77 701 K4**

Module designation LED-0974/940  
 Colour temperature 4000 K  
 Colour rendering index CRI > 90  
 Module luminous flux 2545 lm  
 Luminaire luminous flux 2003 lm  
 Luminaire luminous efficiency 83,5 lm/W

**77 701 K3**

Module designation LED-0974/930  
 Colour temperature 3000 K  
 Colour rendering index CRI > 90  
 Module luminous flux 2455 lm  
 Luminaire luminous flux 1932 lm  
 Luminaire luminous efficiency 80,5 lm/W

**Service life · Ambient temperature**

Rated temperature  $t_a = 25\text{ °C}$   
 LED psu: > 50,000 h  
 LED module: 187,000 h (L 80 B 50)  
 100,000 h (L 90 B 50)

Ambient temperature  $t_{a\text{max}} = 30\text{ °C}$  (100 %)  
 LED psu: 50,000 h  
 LED module: 136,000 h (L 80 B 50)

**Inrush current**

Inrush current: 12 A / 24.2 μs  
 Maximum number of luminaires of this  
 type per miniature circuit breaker:  
 B 10A: 50 luminaires  
 B 16A: 50 luminaires  
 C 10A: 50 luminaires  
 C 16A: 50 luminaires

**Lighting technology**

Symmetrical narrow beam light distribution.  
 Half beam angle 29°  
 By changing the diffuser lens it is possible to  
 alter the symmetrical light distribution into a flat  
 beam light distribution.  
 Luminaire data for the light planning program  
 DIALux for outdoor lighting, street lighting and  
 indoor lighting, as well as luminaire data in  
 EULUMDAT and IES format are available on the  
 BEGA website at [www.bega.com](http://www.bega.com).

**Article No. 77 701**

LED colour temperature optionally 4000 K  
 or 3000 K  
 4000 K – Article number + **K4**  
 3000 K – Article number + **K3**  
 Colour graphite or silver  
 graphite – article number  
 silver – article number + **A**

**Accessories**

**70 757** Shield  
**70 060** Exchangeable lens flat beam  
**70 796** Louvre

For the accessories a separate instructions  
 for use can be provided upon request.

**Light distribution**