

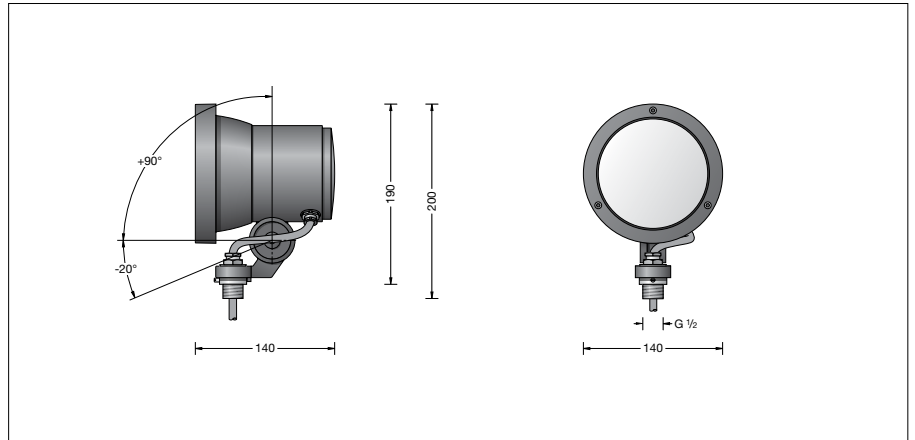
BEGA**77 685**

Compact floodlight



Project · Reference number

Date



Product data sheet

Application

LED floodlight with G $\frac{1}{2}$ mounting bush.
The floodlight can be bolted together with any female thread G $\frac{1}{2}$ according to ISO 228 supplied by others or to BEGA accessories.

Product description

Luminaire made of aluminium alloy, aluminium and stainless steel
Clear safety glass
Reflector made of pure anodised aluminium
Rotation range of floodlight 350°
Swivel range -20°/+90°
Fixing bracket with G $\frac{1}{2}$ mounting bush
Thread length: 14 mm
Connecting cable X05BQ-F 5 G 1¹
Cable length 1 m
LED power supply unit
220-240 V \approx 0/50-60 Hz
DC 170-280 V
DC Start \geq 198 V
DALI controllable
A basic isolation exists between power cable and control line
Safety class I
Protection class IP 65
Dust-tight and protection against water jets
Impact strength IK07
Protection against mechanical impacts < 2 joule
 – Safety mark
 – Conformity mark
Wind catching area: 0.018 m²
Weight: 1.4 kg

Lamp

Module connected wattage 12.9 W
Luminaire connected wattage 15.5 W
Rated temperature $t_a = 25$ °C
Ambient temperature $t_{a,max} = 55$ °C

77 685 K4

Module designation LED-0623/940
Colour temperature 4000 K
Colour rendering index CRI > 90
Module luminous flux 1525 lm
Luminaire luminous flux 1259 lm
Luminaire luminous efficiency 81,2 lm/W

77 685 K3

Module designation LED-0623/930
Colour temperature 3000 K
Colour rendering index CRI > 90
Module luminous flux 1475 lm
Luminaire luminous flux 1215 lm
Luminaire luminous efficiency 78,4 lm/W

Service life of the LED

Ambient temperature $t_a = 25$ °C
– at > 500,000h: L 70 B 50

max. ambient temperature $t_a = 55$ °C
– at 88,000h: L 70 B 50

Light technique

Broad spread light distribution.
Half beam angle 46°
By changing the diffuser lense it is possible to alter the symmetrical light distribution into a flat beam light distribution.
Luminaire data for the light planning program DIALux for outdoor lighting, street lighting and indoor lighting, as well as luminaire data in EULUMDAT and IES format are available on the BEGA website at www.bega.com.

Inrush current

Inrush current: 14 A / 16 μ s
Maximum number of luminaires of this type per miniature circuit breaker:
B 10A: 37 luminaires
B 16A: 60 luminaires
C 10A: 37 luminaires
C 16A: 60 luminaires

Article No. 77 685

LED colour temperature optionally 4000 K or 3000 K
4000 K – Article number + **K4**
3000 K – Article number + **K3**

Colour graphite or silver
graphite – article number
silver – article number + **A**

Accessories

70 055 Exchangeable lens flat beam
70 756 Shield
70 204 Earth spike
70 214 Pole cap for pole \varnothing 48 mm
70 248 Pole cap for pole \varnothing 60 mm
70 245 Mounting box
70 252 Tree screw
70 280 Tube clamp G $\frac{1}{2}$
70 283 Screw clamp
70 379 Outrigger arm G $\frac{1}{2}$
70 889 Tension belt

For the accessories a separate instructions for use can be provided upon request.

Light distribution