

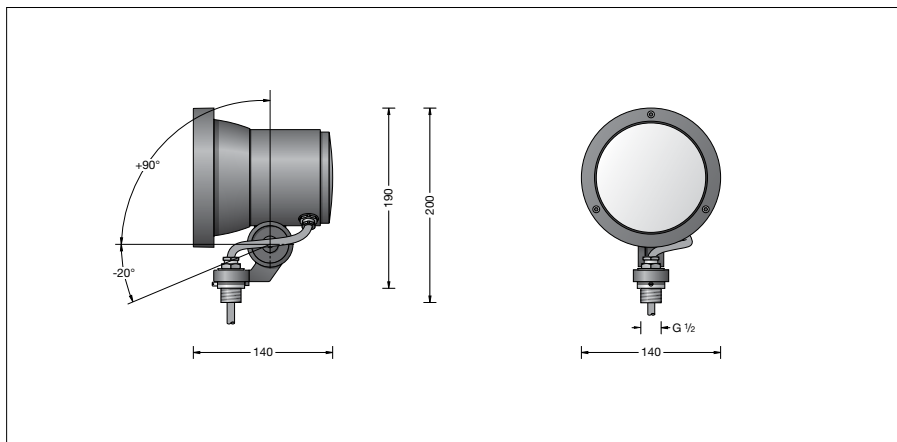
**BEGA****77 684**

Compact floodlight



Project · Reference number

Date



## Product data sheet

**Application**

LED floodlight with G $\frac{1}{2}$  mounting bush.  
The floodlight can be bolted together with any female thread G $\frac{1}{2}$  according to ISO 228 supplied by others or to BEGA accessories.

**Product description**

Luminaire made of aluminium alloy, aluminium and stainless steel  
Clear safety glass  
Reflector made of pure anodised aluminium  
Rotation range of floodlight 350°  
Swivel range -20°/+90°  
Fixing bracket with G $\frac{1}{2}$  mounting bush  
Thread length: 14 mm  
Connecting cable X05BQ-F 5 G 1<sup>□</sup>  
Cable length 1 m  
LED power supply unit  
220-240 V  $\sim$  0/50-60 Hz  
DC 170-280 V  
DC Start  $\geq$  198 V  
DALI controllable  
A basic isolation exists between power cable and control line  
Safety class I  
Protection class IP 65  
Dust-tight and protection against water jets  
Impact strength IK07  
Protection against mechanical impacts < 2 joule  
 – Safety mark  
 – Conformity mark  
Wind catching area: 0.018 m<sup>2</sup>  
Weight: 1.5 kg

**Lamp**

Module connected wattage 12.9 W  
Luminaire connected wattage 15.5 W  
Rated temperature  $t_a = 25$  °C  
Ambient temperature  $t_{a,max} = 55$  °C

**77 684 K4**

Module designation LED-0623/940  
Colour temperature 4000 K  
Colour rendering index CRI > 90  
Module luminous flux 1525 lm  
Luminaire luminous flux 1263 lm  
Luminaire luminous efficiency 81,5 lm/W

**77 684 K3**

Module designation LED-0623/930  
Colour temperature 3000 K  
Colour rendering index CRI > 90  
Module luminous flux 1475 lm  
Luminaire luminous flux 1219 lm  
Luminaire luminous efficiency 78,6 lm/W

**Service life of the LED**

Ambient temperature  $t_a = 25$  °C  
– at > 500,000h: L 70 B 50

max. ambient temperature  $t_a = 55$  °C  
– at 88,000h: L 70 B 50

**Light technique**

Symmetrical narrow beam light distribution.  
Half beam angle 33°  
By changing the diffuser lense it is possible to alter the symmetrical light distribution into a flat beam light distribution.  
Luminaire data for the light planning program DIALux for outdoor lighting, street lighting and indoor lighting, as well as luminaire data in EULUMDAT and IES format are available on the BEGA website at [www.bega.com](http://www.bega.com).

**Inrush current**

Inrush current: 14 A / 16  $\mu$ s  
Maximum number of luminaires of this type per miniature circuit breaker:  
B 10A: 37 luminaires  
B 16A: 60 luminaires  
C 10A: 37 luminaires  
C 16A: 60 luminaires

**Article No. 77 684**

LED colour temperature optionally 4000 K or 3000 K  
4000 K – Article number + **K4**  
3000 K – Article number + **K3**

Colour graphite or silver  
graphite – article number  
silver – article number + **A**

**Accessories**

**70 055** Exchangeable lens flat beam  
**70 756** Shield  
**70 760** Louvre  
**70 204** Earth spike  
**70 214** Pole cap for pole  $\varnothing$  48 mm  
**70 248** Pole cap for pole  $\varnothing$  60 mm  
**70 245** Mounting box  
**70 252** Tree screw  
**70 280** Tube clamp G $\frac{1}{2}$   
**70 283** Screw clamp  
**70 379** Outtrigger arm G $\frac{1}{2}$   
**70 889** Tension belt

For the accessories a separate instructions for use can be provided upon request.

**Light distribution**