

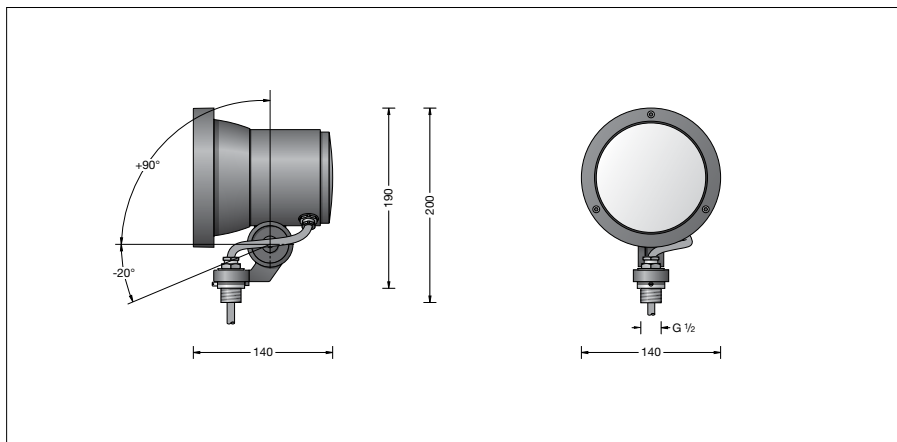
BEGA**77 683**

Compact floodlight



Project · Reference number

Date



Product data sheet

Application

LED floodlight with G $\frac{1}{2}$ mounting bush.
The floodlight can be bolted together with any female thread G $\frac{1}{2}$ according to ISO 228 supplied by others or to BEGA accessories.

Product description

Luminaire made of aluminium alloy, aluminium and stainless steel
Clear safety glass
Reflector made of pure anodised aluminium
Stray light lens tube with integral glass lens
Rotation range of floodlight 350°
Swivel range -20°/+90°
Fixing bracket with G $\frac{1}{2}$ mounting bush
Thread length: 14 mm
Connecting cable X05BQ-F 5 G 1 \square
Cable length 1 m
LED power supply unit
220-240 V \sim 0/50-60 Hz
DC 90-280 V
DC Start \geq 95 V
DALI controllable
A basic isolation exists between power cable and control line
Safety class I
Protection class IP 65
Dust-tight and protection against water jets
Impact strength IK07
Protection against mechanical impacts < 2 joule
 – Safety mark
 – Conformity mark
Wind catching area: 0.018 m 2
Weight: 1.5 kg

Lamp

Module connected wattage 9.2 W
Luminaire connected wattage 11 W
Rated temperature $t_a = 25$ °C
Ambient temperature $t_{a,max} = 60$ °C

On request we can offer you modifications for environments with higher temperatures as a customized product.

77 683 K4

Module designation LED-0578/940
Colour temperature 4000 K
Colour rendering index CRI > 90
Module luminous flux 1160 lm
Luminaire luminous flux 765 lm
Luminaire luminous efficiency 69,5 lm/W

77 683 K3

Module designation LED-0578/930
Colour temperature 3000 K
Colour rendering index CRI > 90
Module luminous flux 1125 lm
Luminaire luminous flux 742 lm
Luminaire luminous efficiency 67,5 lm/W

Lifetime of the LED

Ambient temperature $t_a = 15$ °C
– at 50,000 h: L90B10
– at 500,000 h: L70B50

Ambient temperature $t_a = 25$ °C
– at 50,000 h: L90B10
– at 420,000 h: L70B50

max. ambient temperature $t_a = 60$ °C
– at 50,000 h: L80B10
– at 220,000 h: L70B50

Inrush current

Inrush current: 19 A / 25 μ s
Maximum number of luminaires of this type per miniature circuit breaker:
B 10A: 39 luminaires
B 16A: 63 luminaires
C 10A: 39 luminaires
C 16A: 63 luminaires

Light technique

Floodlight with narrow beam rotationally symmetrical light distribution with integrated glass lens for stray light suppression.
Half beam angle 7°
For special lighting tasks the symmetrical light cone can be changed to a flat beam light distribution by an additional the diffuser lens.
Luminaire data for the light planning program DIALux for outdoor lighting, street lighting and interior lighting as well as luminaire data in EULUMDAT and IES format are available on the BEGA website www.bega.com.

Article No. 77 683

LED colour temperature optionally 4000K or 3000K
4000 K – Article number + **K4**
3000 K – Article number + **K3**

Colour graphite or silver
graphite – article number
silver – article number + **A**

Accessories

70 075 Exchangeable lens flat beam
70 756 Shield
70 712 Cylindrical shield
70 204 Earth spike
70 214 Pole cap for pole \varnothing 48 mm
70 248 Pole cap for pole \varnothing 60 mm
70 245 Mounting box
70 252 Tree screw
70 280 Tube clamp G $\frac{1}{2}$
70 283 Screw clamp
70 379 Outrigger arm G $\frac{1}{2}$
70 889 Tension belt

For the accessories a separate instructions for use can be provided upon request.

Light distribution