

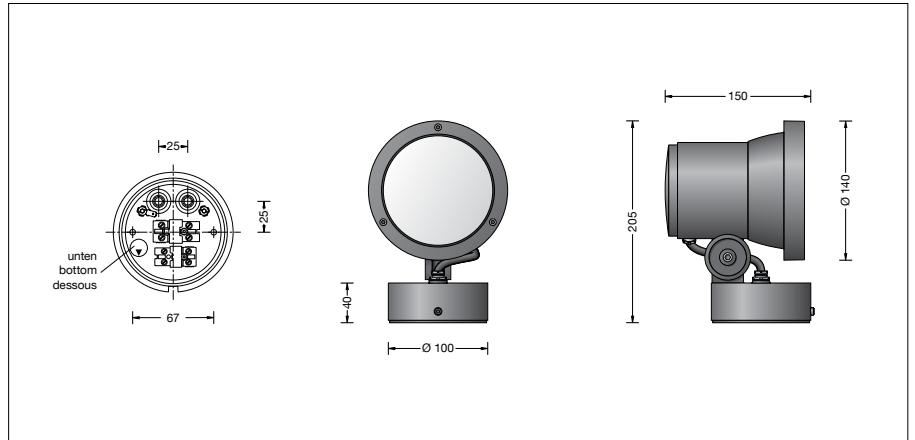
**BEGA****77 682**

Compact floodlight



Project · Reference number

Date



## Product data sheet

**Application**

LED compact floodlight with mounting box for permanent installations on a wall, under a ceiling or on a pillar.

For a variety of interior and exterior lighting applications.

**Product description**

Luminaire made of aluminium alloy, aluminium and stainless steel  
 Clear safety glass  
 Silicone gasket  
 Reflector made of pure anodised aluminium  
 Rotation range of floodlight 350°  
 Swivel range  $-15^{\circ}/+90^{\circ}$   
 Mounting box with 2 fixing holes  
 $\varnothing 4.5 \text{ mm} \cdot 67 \text{ mm}$  spacing  
 2 cable entries for through-wiring of mains supply cable  $\varnothing 7\text{-}10.5 \text{ mm}$ , max. 5G 1.5<sup>□</sup>  
 Connecting terminal 2.5<sup>□</sup>  
 with plug connection  
 Earth conductor connection  
 LED power supply unit  
 220-240 V  $\sim$  0/50-60 Hz  
 DC 170-280 V  
 DC Start  $\geq 198 \text{ V}$   
 DALI controllable  
 A basic isolation exists between power cable and control line  
 Safety class I  
 Protection class IP 65  
 Dust-tight and protection against water jets  
 Impact strength IK07  
 Protection against mechanical impacts  $< 2 \text{ joule}$   
 – Safety mark  
 – Conformity mark  
 Wind catching area: 0.018 m<sup>2</sup>  
 Weight: 1.8 kg

**Lamp**

Module connected wattage 12.9 W  
 Luminaire connected wattage 15.5 W  
 Rated temperature  $t_a = 25^{\circ} \text{C}$   
 Ambient temperature  $t_{a \text{ max}} = 55^{\circ} \text{C}$

**77 682 K4**

Module designation LED-0623/940  
 Colour temperature 4000 K  
 Colour rendering index CRI  $> 90$   
 Module luminous flux 1525 lm  
 Luminaire luminous flux 1259 lm  
 Luminaire luminous efficiency 81,2 lm/W

**77 682 K3**

Module designation LED-0623/930  
 Colour temperature 3000 K  
 Colour rendering index CRI  $> 90$   
 Module luminous flux 1475 lm  
 Luminaire luminous flux 1215 lm  
 Luminaire luminous efficiency 78,4 lm/W

**Service life of the LED**

Ambient temperature  $t_a = 25^{\circ} \text{C}$   
 – at  $> 500,000 \text{ h}$ : L 70 B 50

max. ambient temperature  $t_a = 55^{\circ} \text{C}$   
 – at  $88,000 \text{ h}$ : L 70 B 50

**Inrush current**

Inrush current: 14 A / 16  $\mu\text{s}$   
 Maximum number of luminaires of this type per miniature circuit breaker:  
 B 10A: 37 luminaires  
 B 16A: 60 luminaires  
 C 10A: 37 luminaires  
 C 16A: 60 luminaires

**Light technique**

Broad spread light distribution.  
 Half beam angle  $46^{\circ}$   
 By changing the diffuser lens it is possible to alter the symmetrical light distribution into a flat beam light distribution.

Luminaire data for the light planning program DIALux for outdoor lighting, street lighting and indoor lighting, as well as luminaire data in EULUMDAT and IES format are available on the BEGA website at [www.bega.com](http://www.bega.com).

**Article No. 77 682**

LED colour temperature optionally 4000 K or 3000 K  
 4000 K – Article number + **K4**  
 3000 K – Article number + **K3**

Colour graphite or silver  
 graphite – article number  
 silver – article number + **A**

**Accessories**

**70 756** Shield  
**70 055** Exchangeable lens flat beam

For the accessories a separate instructions for use can be provided upon request.

**Light distribution**