

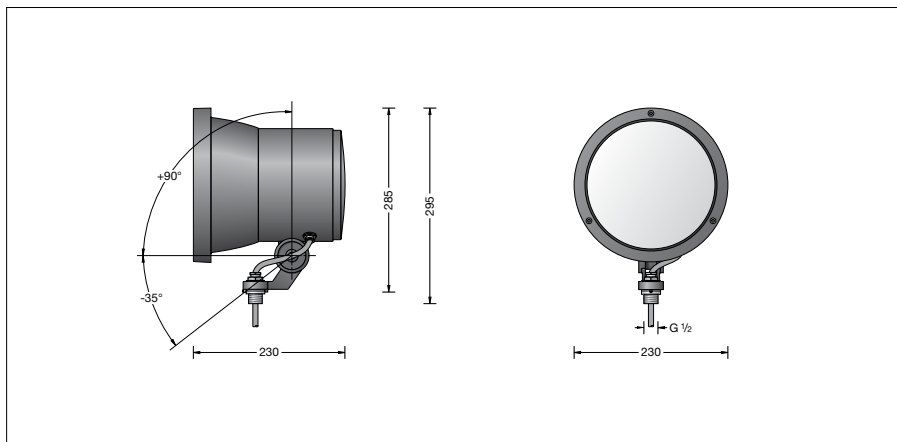
**BEGA****77 653**

Compact floodlight



Project · Reference number

Date



## Product data sheet

**Application**

LED floodlight with G $\frac{1}{2}$  mounting bush.  
The floodlight can be bolted together with any female thread G $\frac{1}{2}$  according to ISO 228 supplied by others or to BEGA accessories.

**Product description**

Luminaire made of aluminium alloy, aluminium and stainless steel  
BEGA Unidure® coating technology  
Clear safety glass  
Silicone gasket  
Reflector made of pure anodised aluminium  
Rotation range of floodlight 350°  
Swivel range -35°/+90°  
Mounting bracket with G $\frac{1}{2}$  threaded connection  
Thread length: 14 mm  
Connecting cable X05BQ-F 5 G 1 □  
Cable length 1 m  
LED power supply unit  
220-240 V  $\sim$  0/50-60 Hz  
DC 170-276 V  
DALI controllable  
A basic isolation exists between power cable and control line  
BEGA Thermal Switch®  
Temporary thermal shutdown to protect temperature-sensitive components  
Safety class I  
Protection class IP 65  
Dust-tight and protection against water jets  
Impact strength IK07  
Protection against mechanical impacts < 2 joule  
 – Safety mark  
**CE** – Conformity mark  
Wind catching area: 0.042 m<sup>2</sup>  
Weight: 4.0 kg

**Lamp**

Module connected wattage 46.7 W  
Luminaire connected wattage 52.5 W  
Rated temperature  $t_a = 25\text{ }^\circ\text{C}$   
Ambient temperature  $t_{a\text{max}} = 30\text{ }^\circ\text{C}$

On request we can offer you modifications for environments with higher temperatures as a customized product.

**77 653 K4**

Module designation LED-0785/940  
Colour temperature 4000 K  
Colour rendering index CRI > 90  
Module luminous flux 6610 lm  
Luminaire luminous flux 4617 lm  
Luminaire luminous efficiency 87,9 lm/W

**77 653 K3**

Module designation LED-0785/930  
Colour temperature 3000 K  
Colour rendering index CRI > 90  
Module luminous flux 6510 lm  
Luminaire luminous flux 4547 lm  
Luminaire luminous efficiency 86,6 lm/W

**Service life · Ambient temperature**

Rated temperature  $t_a = 25\text{ }^\circ\text{C}$   
LED psu: > 50,000 h  
LED module: 150,000 h (L80B50)  
  
Ambient temperature  $t_{a\text{max}} = 30\text{ }^\circ\text{C}$  (100 %)  
LED psu: 50,000 h  
LED module: 140,000 h (L80B50)

**Inrush current**

Inrush current: 20 A / 400  $\mu\text{s}$   
Maximum number of luminaires of this type per miniature circuit breaker:  
B 10A: 9 luminaires  
B 16A: 15 luminaires  
C 10A: 16 luminaires  
C 16A: 25 luminaires

**Light technique**

Symmetrical wide beam light distribution  
Half beam angle 51°

**Article No. 77 653**

LED colour temperature optionally 4000K or 3000K

4000 K – Article number + **K4**  
3000 K – Article number + **K3**

Colour graphite or silver  
graphite – article number  
silver – article number + **A**

**Accessories**

**70 065** Exchangeable lens flat beam  
**70 758** Shield  
**70 214** Pole cap for pole  $\varnothing$  48 mm  
**70 248** Pole cap for pole  $\varnothing$  60 mm  
**70 245** Mounting box  
**70 252** Tree screw  
**70 280** Tube clamp G $\frac{1}{2}$   
**70 283** Screw clamp  
**70 379** Outrigger arm G $\frac{1}{2}$   
**70 889** Tension belt

For the accessories a separate instructions for use can be provided upon request.

**Light distribution**