

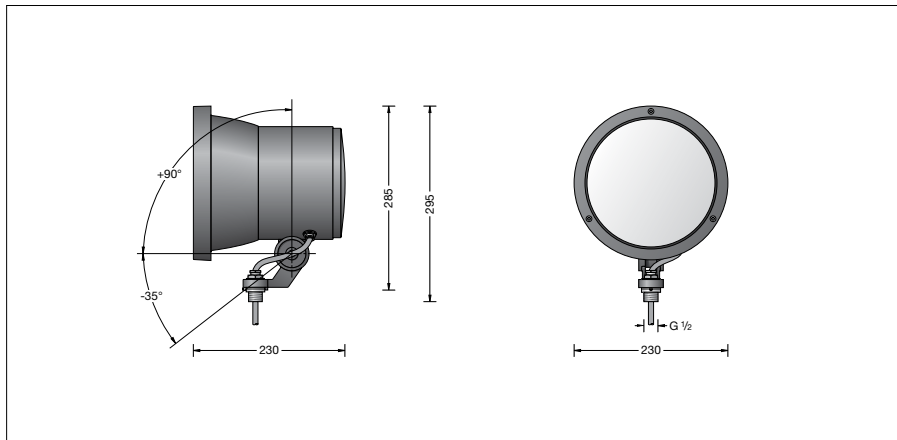
BEGA**77 652**

Compact floodlight



Project · Reference number

Date



Product data sheet

Application

LED floodlight with G $\frac{1}{2}$ mounting bush.
The floodlight can be bolted together with any female thread G $\frac{1}{2}$ according to ISO 228 supplied by others or to BEGA accessories. For a variety of interior and exterior lighting applications.

Product description

Luminaire made of aluminium alloy, aluminium and stainless steel
BEGA Unidure® coating technology
Clear safety glass
Silicone gasket
Reflector made of pure anodised aluminium
Rotation range of floodlight 350°
Swivel range -35°/+90°
Mounting bracket with G $\frac{1}{2}$ threaded connection
Thread length: 14 mm
Connecting cable X05BQ-F 5 G 1 \square
Cable length 1 m
LED power supply unit
220-240 V \sphericalangle 0/50-60 Hz
DC 170-276 V
DALI controllable
A basic isolation exists between power cable and control line
BEGA Thermal Switch®
Temporary thermal shutdown to protect temperature-sensitive components
Safety class I
Protection class IP 65
Dust-tight and protection against water jets
Impact strength IK07
Protection against mechanical impacts < 2 joule
 – Safety mark
 – Conformity mark
Wind catching area: 0.042 m 2
Weight: 4.0 kg

Lamp

Module connected wattage	46.7 W
Luminaire connected wattage	52.5 W
Rated temperature	$t_a = 25\text{ }^\circ\text{C}$
Ambient temperature	$t_{a\text{max}} = 30\text{ }^\circ\text{C}$

On request we can offer you modifications for environments with higher temperatures as a customized product.

77 652 K4

Module designation	LED-0785/940
Colour temperature	4000 K
Colour rendering index	CRI > 90
Module luminous flux	6610 lm
Luminaire luminous flux	4540 lm
Luminaire luminous efficiency	86,5 lm/W

77 652 K3

Module designation	LED-0785/930
Colour temperature	3000 K
Colour rendering index	CRI > 90
Module luminous flux	6510 lm
Luminaire luminous flux	4472 lm
Luminaire luminous efficiency	85,2 lm/W

Service life · Ambient temperature

Rated temperature $t_a = 25\text{ }^\circ\text{C}$	
LED psu:	> 50,000 h
LED module:	150,000 h (L80 B50)
Ambient temperature $t_{a\text{max}} = 30\text{ }^\circ\text{C}$ (100 %)	
LED psu:	50,000 h
LED module:	140,000 h (L80 B50)

Inrush current

Inrush current: 20 A / 400 μs
Maximum number of luminaires of this type per miniature circuit breaker:

B 10A:	9 luminaires
B 16A:	15 luminaires
C 10A:	16 luminaires
C 16A:	25 luminaires

Lighting technology

Symmetrical narrow beam light distribution.
Half beam angle 25°
By changing the diffuser lense it is possible to alter the symmetrical light distribution into a flat beam light distribution.
Luminaire data for the light planning program DIALux for outdoor lighting, street lighting and indoor lighting, as well as luminaire data in EULUMDAT and IES format are available on the BEGA website at www.bega.com.

Article No. 77 652

LED colour temperature optionally 4000 K or 3000 K
4000 K – Article number + **K4**
3000 K – Article number + **K3**

Colour graphite or silver
graphite – article number + **A**
silver – article number + **A**

Accessories

70 065	Exchangeable lens flat beam
70 758	Shield
70 775	Louvre
70 214	Pole cap for pole \varnothing 48 mm
70 248	Pole cap for pole \varnothing 60 mm
70 245	Mounting box
70 252	Tree screw
70 280	Tube clamp G $\frac{1}{2}$
70 283	Screw clamp
70 379	Outrigger arm G $\frac{1}{2}$
70 889	Tension belt

For the accessories a separate instructions for use can be provided upon request.

Light distribution