

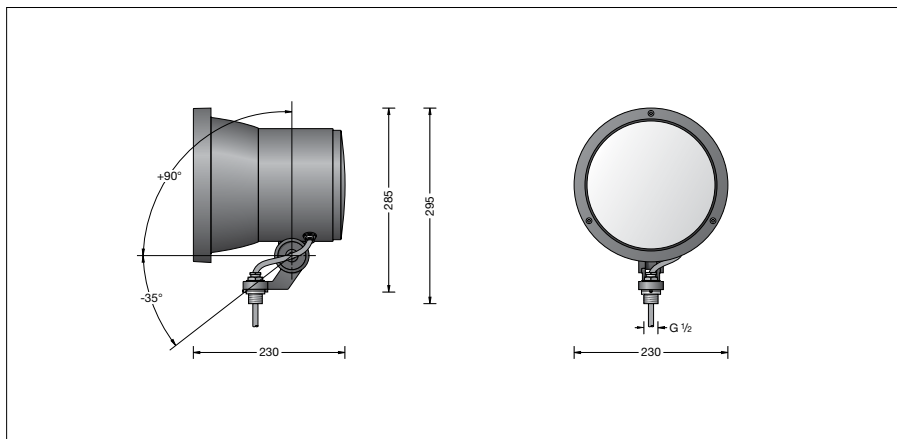
BEGA**77 651**

Compact floodlight



Project · Reference number

Date



Product data sheet

Application

LED floodlight with $G\frac{1}{2}$ mounting bush. The floodlight can be bolted together with any female thread $G\frac{1}{2}$ according to ISO 228 supplied by others or to BEGA accessories. For a variety of interior and exterior lighting applications.

Product description

Luminaire made of aluminium alloy, aluminium and stainless steel
 BEGA Unidure® coating technology
 Clear safety glass
 Silicone gasket
 Reflector made of pure anodised aluminium
 Inlying ring louvre made of stainless steel.
 Rotation range of floodlight 350°
 Swivel range $-35^\circ/+90^\circ$
 Mounting bracket with $G\frac{1}{2}$ threaded connection
 Thread length: 14 mm
 Connecting cable X05BQ-F 5 G 1 \square
 Cable length 1 m
 LED power supply unit
 220-240 V \sim 0/50-60 Hz
 DC 170-276 V
 DALI controllable
 A basic isolation exists between power cable and control line
 BEGA Thermal Switch®
 Temporary thermal shutdown to protect temperature-sensitive components
 Safety class I
 Protection class IP 65
 Dust-tight and protection against water jets
 Impact strength IK07
 Protection against mechanical impacts < 2 joule
 – Safety mark
CE – Conformity mark
 Wind catching area: 0.042 m²
 Weight: 4.3 kg

Lamp

Module connected wattage	46.7 W
Luminaire connected wattage	52.5 W
Rated temperature	$t_a = 25^\circ\text{C}$
Ambient temperature	$t_{a\text{max}} = 30^\circ\text{C}$

On request we can offer you modifications for environments with higher temperatures as a customized product.

77 651 K4

Module designation	LED-0785/940
Colour temperature	4000 K
Colour rendering index	CRI > 90
Module luminous flux	6610 lm
Luminaire luminous flux	3274 lm
Luminaire luminous efficiency	62,4 lm/W

77 651 K3

Module designation	LED-0785/930
Colour temperature	3000 K
Colour rendering index	CRI > 90
Module luminous flux	6510 lm
Luminaire luminous flux	3225 lm
Luminaire luminous efficiency	61,4 lm/W

Service life · Ambient temperature

Rated temperature $t_a = 25^\circ\text{C}$	
LED psu:	$> 50,000$ h
LED module:	150,000 h (L80 B50)
Ambient temperature $t_{a\text{max}} = 30^\circ\text{C}$ (100 %)	
LED psu:	50,000 h
LED module:	140,000 h (L80 B50)

Inrush current

Inrush current: 20 A / 400 μs
 Maximum number of luminaires of this type per miniature circuit breaker:

B 10A:	9 luminaires
B 16A:	15 luminaires
C 10A:	16 luminaires
C 16A:	25 luminaires

Light technique

Floodlight with narrow beam rotationally symmetrical light distribution with integrated glass lens for stray light suppression. Half beam angle 10°
 For special lighting applications, the symmetrical light cone can be changed to a flat beam using an additional diffuser lens.

Article No. 77 651

LED colour temperature optionally 4000K or 3000K
 4000 K – Article number + **K4**
 3000 K – Article number + **K3**
 Colour graphite or silver
 graphite – article number
 silver – article number + **A**

Accessories

70 077	Exchangeable lens flat beam
70 758	Shield
70 214	Pole cap for pole \varnothing 48 mm
70 248	Pole cap for pole \varnothing 60 mm
70 245	Mounting box
70 252	Tree screw
70 280	Tube clamp $G\frac{1}{2}$
70 283	Screw clamp
70 379	Outrigger arm $G\frac{1}{2}$
70 889	Tension belt

For the accessories a separate instructions for use can be provided upon request.

Light distribution