

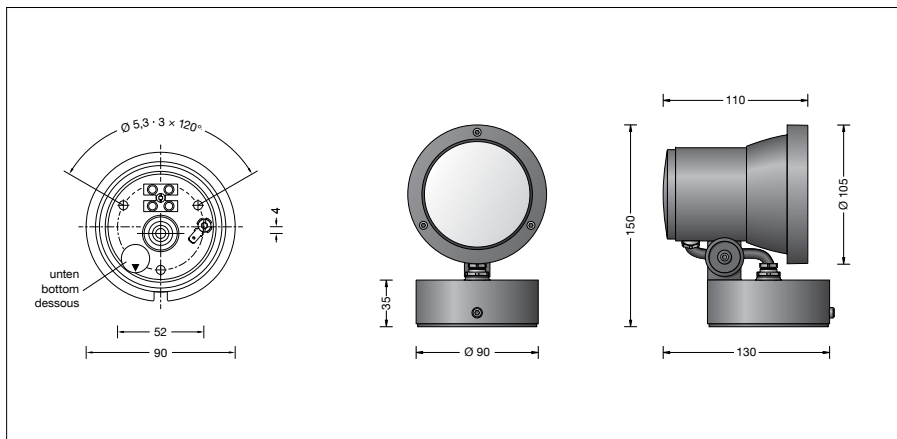
BEGA**77 602**

Compact floodlight



Project · Reference number

Date



Product data sheet

Application

LED compact floodlight with mounting box for permanent installations on a wall, under a ceiling or on a pillar.

For a variety of interior and exterior lighting applications.

Product description

Luminaire made of aluminium alloy, aluminium and stainless steel
 BEGA Unidure® coating technology
 Clear safety glass
 Reflector made of pure anodised aluminium
 Rotation range of floodlight 350°
 Swivel range -15°/+90°
 Mounting plate with 3 fixing holes \varnothing 5.3 mm
 Angle 120° · Pitch circle \varnothing 52 mm
 1 cable entry for mains supply cable up to \varnothing 10,5 mm max. 3 × 1,5[□]
 Connection terminal 2.5[□]
 Earth conductor connection
 LED power supply unit
 100-240 V \sim 0/50-60 Hz
 DC 80-310 V
 BEGA Thermal Switch®
 Temporary thermal shutdown to protect temperature-sensitive components
 Safety class I
 Protection class IP 65
 Dust-tight and protection against water jets
 Impact strength IK07
 Protection against mechanical impacts < 2 joule
 – Safety mark
 – Conformity mark
 Wind catching area: 0.012 m²
 Weight: 0.9 kg

Lamp

| | |
|-----------------------------|----------------------------------|
| Module connected wattage | 3 W |
| Luminaire connected wattage | 4.3 W |
| Rated temperature | $t_a = 25\text{ °C}$ |
| Ambient temperature | $t_{a\text{max}} = 45\text{ °C}$ |

On request we can offer you modifications for environments with higher temperatures as a customized product.

77 602 K4

| | |
|-------------------------------|--------------|
| Module designation | LED-0488/940 |
| Colour temperature | 4000 K |
| Colour rendering index | CRI > 90 |
| Module luminous flux | 460 lm |
| Luminaire luminous flux | 351 lm |
| Luminaire luminous efficiency | 81,6 lm/W |

77 602 K3

| | |
|-------------------------------|--------------|
| Module designation | LED-0488/930 |
| Colour temperature | 3000 K |
| Colour rendering index | CRI > 90 |
| Module luminous flux | 445 lm |
| Luminaire luminous flux | 340 lm |
| Luminaire luminous efficiency | 79,1 lm/W |

Service life · Ambient temperature

| | |
|--------------------------------------------------------------|----------------------------------------------|
| Rated temperature $t_a = 25\text{ °C}$ | |
| LED psu: | > 50,000 h |
| LED module: | > 200,000 h (L80B50) > 100,000 h (L90B50) |
| Ambient temperature $t_{a\text{max}} = 45\text{ °C}$ (100 %) | |
| LED psu: | 50,000 h |
| LED module: | > 200,000 h (L80B50) > 100,000 h (L90B50) |

Inrush current

Inrush current: 14 A / 130 μ s
 Maximum number of luminaires of this type per miniature circuit breaker:

| | |
|--------|---------------|
| B 10A: | 29 luminaires |
| B 16A: | 48 luminaires |
| C 10A: | 46 luminaires |
| C 16A: | 76 luminaires |

Light technique

Broad spread light distribution.
 Half beam angle 51°
 By changing the diffuser lens it is possible to alter the symmetrical light distribution into a flat beam light distribution.
 Luminaire data for the light planning program DIALux for outdoor lighting, street lighting and indoor lighting, as well as luminaire data in EULUMDAT and IES format are available on the BEGA website at www.bega.com.

Article No. 77 602

LED colour temperature optionally 4000 K or 3000 K
 4000 K – Article number + **K4**
 3000 K – Article number + **K3**

Colour graphite or silver
 graphite – article number
 silver – article number + **A**

Accessories

70 755 Shield
70 050 Exchangeable lens flat beam

For the accessories a separate instructions for use can be provided upon request.

Light distribution