

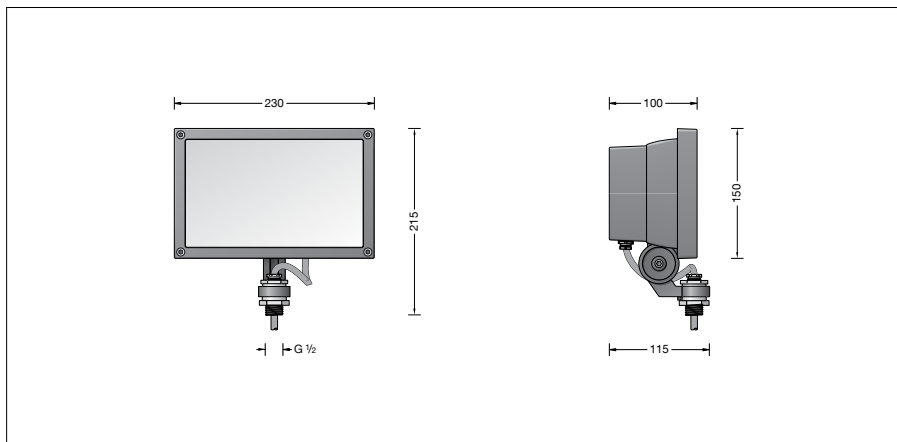
BEGA**77 486**

Surface floodlight



Project · Reference number

Date



Product data sheet

Application

LED floodlight with mounting bush G $\frac{1}{2}$. for broad spread light distribution.
The floodlight can be bolted together with any female thread G $\frac{1}{2}$ according to ISO 228.

Product description

Luminaire made of aluminium alloy, aluminium and stainless steel
Safety glass with optical structure
Silicone gasket
Reflector made of pure anodised aluminium
Rotation range of floodlight 350°
Swivel range -35°/+90°
Fixing bracket with G $\frac{1}{2}$ mounting bush
Thread length: 14 mm
Connecting cable X05BQ-F 5 G 1 \square
Cable length 1 m
LED power supply unit
220-240 V \sim 0/50-60 Hz
DC 176-276 V
DALI controllable
A basic isolation exists between power cable and control line
Safety class I
Protection class IP 65
Dust-tight and protection against water jets
Impact strength IK08
Protection against mechanical impacts < 5 joule
 – Safety mark
 – Conformity mark
Wind catching area: 0.039 m 2
Weight: 2.4 kg

Lamp

Module connected wattage 27.6 W
Luminaire connected wattage 30.7 W
Rated temperature $t_a = 25$ °C
Ambient temperature $t_{a,max} = 50$ °C

77 486 K4

Module designation LED-0935/940
Colour temperature 4000 K
Colour rendering index CRI > 90
Module luminous flux 4395 lm
Luminaire luminous flux 3560 lm
Luminaire luminous efficiency 116 lm/W

77 486 K3

Module designation LED-0935/930
Colour temperature 3000 K
Colour rendering index CRI > 90
Module luminous flux 4260 lm
Luminaire luminous flux 3451 lm
Luminaire luminous efficiency 112,4 lm/W

Service life of the LED

Ambient temperature $t_a = 25$ °C
– at > 500,000h: L70B50

max. ambient temperature $t_a = 50$ °C
– at 111,000h: L70B50

Inrush current

Inrush current: 10 A / 200 μ s
Maximum number of luminaires of this type per miniature circuit breaker:
B 10A: 19 luminaires
B 16A: 30 luminaires
C 10A: 31 luminaires
C 16A: 51 luminaires

Light technique

Broad spread light distribution.
Half beam angle 92/97°

Luminaire data for the light planning program DIALux for outdoor lighting, street lighting and indoor lighting, as well as luminaire data in EULUMDAT and IES format are available on the BEGA website at www.bega.com.

Article No. 77 486

LED colour temperature optionally 4000 K or 3000 K
4000 K – Article number + **K4**
3000 K – Article number + **K3**

Colour graphite or silver
graphite – article number
silver – article number + **A**

Accessories

70 214 Pole cap for pole \varnothing 48 mm
70 248 Pole cap for pole \varnothing 60 mm
70 245 Mounting box
70 252 Tree screw
70 280 Tube clamp G $\frac{1}{2}$
70 283 Screw clamp
70 379 Outrigger arm G $\frac{1}{2}$
70 889 Tension belt
70 502 Shield

For the accessories a separate instructions for use can be provided upon request.

Light distribution