

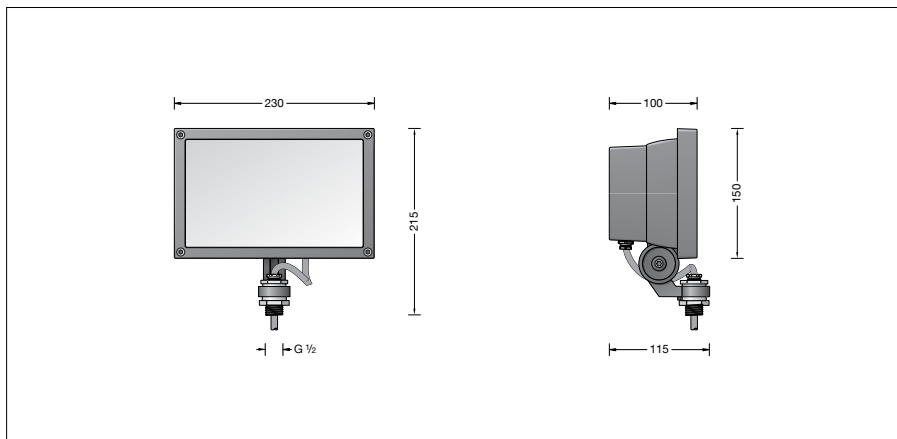
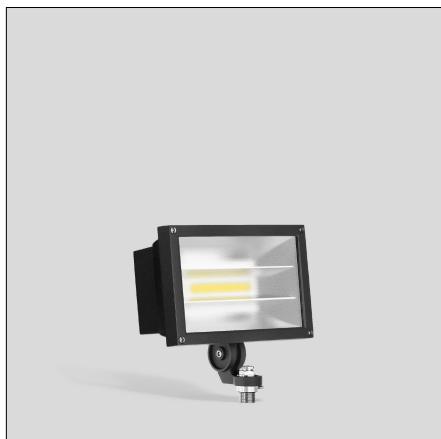
BEGA**77 485**

Surface floodlight



Project · Reference number

Date

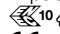



Product data sheet

Application

LED floodlight with mounting bush G $\frac{1}{2}$ for flat beam light distribution.
The floodlight can be bolted together with any female thread G $\frac{1}{2}$ according to ISO 228.

Product description

Luminaire made of aluminium alloy, aluminium and stainless steel
Safety glass with optical structure
Reflector made of pure anodised aluminium
Rotation range of floodlight 350°
Swivel range -35°/+90°
Fixing bracket with G $\frac{1}{2}$ mounting bush
Thread length: 14 mm
Connecting cable X05BQ-F 5 G 1 \square
Cable length 1 m
LED power supply unit
220-240 V \sim 0/50-60 Hz
DC 176-276 V
DALI controllable
A basic isolation exists between power cable and control line
Safety class I
Protection class IP 65
Dust-tight and protection against water jets
Impact strength IK08
Protection against mechanical impacts < 5 joule
 – Safety mark
 – Conformity mark
Wind catching area: 0.039 m 2
Weight: 2.4 kg

Lamp

Module connected wattage 27.6 W
Luminaire connected wattage 30.7 W
Rated temperature $t_a = 25\text{ }^\circ\text{C}$
Ambient temperature $t_{a\text{max}} = 50\text{ }^\circ\text{C}$

77 485 K4

Module designation LED-0935/940
Colour temperature 4000 K
Colour rendering index CRI > 90
Module luminous flux 4395 lm
Luminaire luminous flux 3460 lm
Luminaire luminous efficiency 112,7 lm/W

77 485 K3

Module designation LED-0935/930
Colour temperature 3000 K
Colour rendering index CRI > 90
Module luminous flux 4260 lm
Luminaire luminous flux 3353 lm
Luminaire luminous efficiency 109,2 lm/W

Service life of the LED

Ambient temperature $t_a = 25\text{ }^\circ\text{C}$
– at > 500,000h: L 70 B 50

max. ambient temperature $t_a = 50\text{ }^\circ\text{C}$
– at 111,000h: L 70 B 50

Inrush current

Inrush current: 10 A / 200 μs
Maximum number of luminaires of this type per miniature circuit breaker:
B 10A: 19 luminaires
B 16A: 30 luminaires
C 10A: 31 luminaires
C 16A: 51 luminaires

Light technique

Floodlight with flat beam light distribution.
Half beam angle 40/96°
Luminaire data for the light planning program DIALux for outdoor lighting, street lighting and indoor lighting, as well as luminaire data in EULUMDAT and IES format are available on the BEGA website at www.bega.com.

Article No. 77 485

LED colour temperature optionally 4000K or 3000K
4000 K – Article number + **K4**
3000 K – Article number + **K3**

Colour graphite or silver
graphite – article number
silver – article number + **A**

Accessories

70 502 Shield
70 214 Pole cap for pole top \varnothing 48 mm
70 248 Pole cap for pole top \varnothing 60 mm
70 249 Pole cap for pole top \varnothing 76 mm
70 229 Pole cap for pole top \varnothing 82 mm
70 204 Earth spike
70 221 Mounting box for anchorage unit
70 245 Mounting box · rectangular
70 252 Wood screw
70 280 Tube clamp
70 283 Screw clamp
70 379 Outrigger arm
70 889 Lashing strap
71 042 Adapter for mounting on a pole

For the accessories a separate instructions for use can be provided upon request.

Light distribution

