

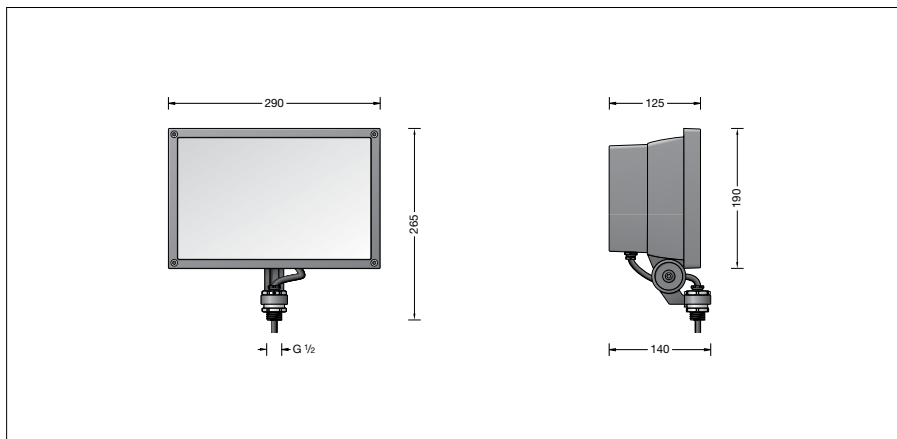
BEGA**77 427**

Surface floodlight



Project · Reference number

Date



Product data sheet

Application

LED floodlight with mounting bush G $\frac{1}{2}$. for broad spread light distribution.
The floodlight can be bolted together with any female thread G $\frac{1}{2}$ according to ISO 228.

Product description

Luminaire made of aluminium alloy, aluminium and stainless steel
Safety glass with optical structure
Silicone gasket
Reflector made of pure anodised aluminium
Rotation range of floodlight 350°
Swivel range -35°/+90°
Fixing bracket with G $\frac{1}{2}$ mounting bush
Thread length: 14 mm
Connecting cable X05BQ-F 5 G 1 \square
Cable length 1 m
LED power supply unit
220-240 V \sim 0/50-60 Hz
DC 176-280 V
During DC operation the LED power is reduced to 15 %
DALI controllable
A basic isolation exists between power cable and control line
Safety class I
Protection class IP 65
Dust-tight and protection against water jets
Impact strength IK07
Protection against mechanical impacts < 2 joule
 – Safety mark
CE – Conformity mark
Wind catching area: 0.04 m 2
Weight: 3.7 kg

Lamp

Module connected wattage 65.5 W
Luminaire connected wattage 73 W
Rated temperature $t_a = 25$ °C
Ambient temperature $t_{a,max} = 25$ °C

On request we can offer you modifications for environments with higher temperatures as a customized product.

77 427 K4

Module designation LED-0499/940
Colour temperature 4000 K
Colour rendering index CRI > 90
Module luminous flux 8505 lm
Luminaire luminous flux 7024 lm
Luminaire luminous efficiency 96,2 lm/W

77 427 K3

Module designation LED-0499/930
Colour temperature 3000 K
Colour rendering index CRI > 90
Module luminous flux 8210 lm
Luminaire luminous flux 6780 lm
Luminaire luminous efficiency 92,9 lm/W

Lifetime of the LED

max. ambient temperature $t_a = 25$ °C
– at 178,000h: L70B50

Light technique

Broad spread light distribution.
Half beam angle 90/96°
Luminaire data for the light planning program DIALux for outdoor lighting, street lighting and indoor lighting, as well as luminaire data in EULUMDAT and IES format are available on the BEGA website at www.bega.com.

Article No. 77 427

LED colour temperature optionally 4000 K or 3000 K

4000 K – Article number + **K4**
3000 K – Article number + **K3**

Colour graphite or silver
graphite – article number
silver – article number + **A**

Accessories

70 214 Pole cap for pole top \varnothing 48 mm
70 248 Pole cap for pole top \varnothing 60 mm
70 249 Pole cap for pole top \varnothing 76 mm
70 229 Pole cap for pole top \varnothing 82 mm
70 221 Mounting box for anchorage unit
70 245 Mounting box · rectangular
70 252 Wood screw
70 283 Screw clamp
70 379 Outtrigger arm
70 889 Lashing strap
70 525 Shield

For the accessories a separate instructions for use can be provided upon request.

Light distribution