

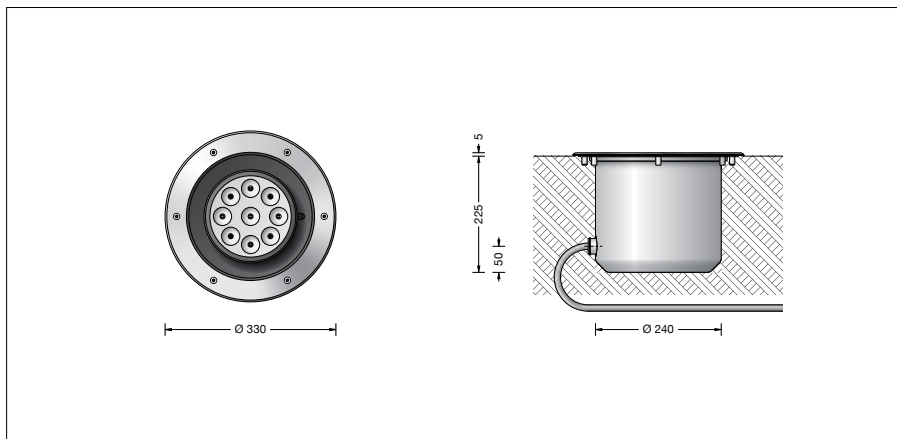
BEGA**77 148**

In-ground luminaire



Project · Reference number

Date



Product data sheet

Application

In-ground floodlight with swivel-mounted and rotatable LED optical system. Adjustable tilt angle of the reflector allows optionally a symmetrical or asymmetrical light distribution. Luminaire for installation in gravel, lawns, beds and compacted non-flammable surface. Drive-over luminaire for vehicles with pneumatic tyres.

Please note:

Luminaire must not be used for installation in road lanes, where the fixture is exposed to a horizontal strain due to braking, acceleration and change of direction. For walk-through public areas, we recommend skid-blocking glass – see accessories.

Accessories

14000233R Skid-blocking glass
BEGA skid-blocking glass with the highest rating R 13 according to DIN 51130 can be used without restriction for all public areas. Abrasion resistance according to EN ISO 10545-7 Class 3

10 048 Diffuser lens wide beam

10 019 Diffuser lens flat beam

70 688 Installation housing made of stainless steel

Distribution box for installation in soil

70 730 Distribution box with 7 cable entries
Connection terminals 5 x 4[□]

71 053 Distribution box with 10 cable entries
Connection terminals 6 x 16[□]

A separate instructions for use can be provided upon request.

Product description

Luminaire made of stainless steel
Steel grade no. 1.4301
Clear safety glass
Reflector made of pure anodised aluminium
1,8 m water-resistant connecting cable
07RN8-F 5G 1[□] with implemented water stopper and 1.2 m PVC cable conduit
LED power supply unit
220-240 V ~ 0/50-60 Hz
DC 176-276 V
DALI controllable
A basic isolation exists between power cable and control line
Safety class I
Protection class IP 68 10 m
Dust-tight and water pressure tight
Maximum submersion depth 10 m
Not suitable for permanent operation under water
Pressure load 2,000 kg (~20 kN)
Impact strength IK10
Protection against mechanical impacts < 20 joule
Maximum surface temperature 35 °C (measured according to EN 60598 of ta 15 °C)
CE – Conformity mark
 – Safety mark
Weight: 8.1 kg

Light technique

In-ground floodlight with adjustable optical system.
Optical system 0-30° swivel-mounted in 3° steps and ± 180° infinitely rotatable.
Narrow beam rotationally symmetrical light distribution. Half beam angle 13°
For special lighting tasks it is possible to change the narrow beam light cone into a wide beam or flat beam light distribution by using diffuser lenses.
For wide beam light distribution:
Diffuser lens **10048**, half beam angle 29°
For flat beam light distribution:
Diffuser lens **10019**, half beam angle 17°/34°
Light cone ± 90° rotatable.

Lamp

Module connected wattage 17.2 W
Luminaire connected wattage 20.5 W
Rated temperature $t_a = 25\text{ °C}$
Ambient temperature $t_{a\text{ max}} = 45\text{ °C}$

On request we can offer you modifications for environments with higher temperatures as a customized product.

77 148 K4

Module designation LED-0446/840
Colour temperature 4000 K
Colour rendering index CRI > 80
Module luminous flux 3015 lm
Luminaire luminous flux 1377 lm
Luminaire luminous efficiency 67,2 lm/W

77 148 K3

Module designation LED-0446/830
Colour temperature 3000 K
Colour rendering index CRI > 80
Module luminous flux 2745 lm
Luminaire luminous flux 1254 lm
Luminaire luminous efficiency 61,2 lm/W

Service life · Ambient temperature

Rated temperature $t_a = 25\text{ °C}$
LED psu: > 50,000 h
LED module: > 200,000 h (L80B50)
100,000 h (L90B50)

Ambient temperature $t_{a\text{ max}} = 45\text{ °C}$ (100 %)
LED psu: 50,000 h
LED module: > 200,000 h (L80B50)
100,000 h (L90B50)

Inrush current

Inrush current: 20 A / 100 μs
Maximum number of luminaires of this type per miniature circuit breaker:
B 10A: 33 luminaires
B 16A: 55 luminaires
C 10A: 33 luminaires
C 16A: 55 luminaires

Article No. 77 148

LED colour temperature optionally 4000K or 3000K
4000 K – Article number + **K4**
3000 K – Article number + **K3**

We supply this luminaire with skid-blocking glass which is denoted by **R** after the article number.

Light distribution