

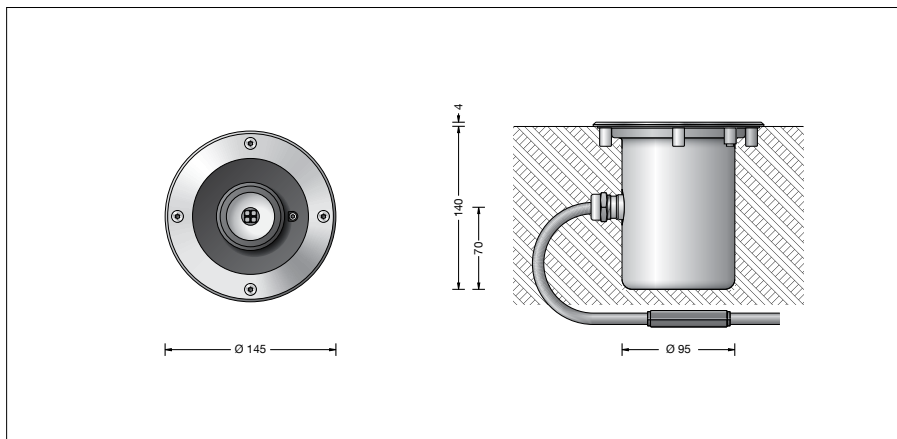
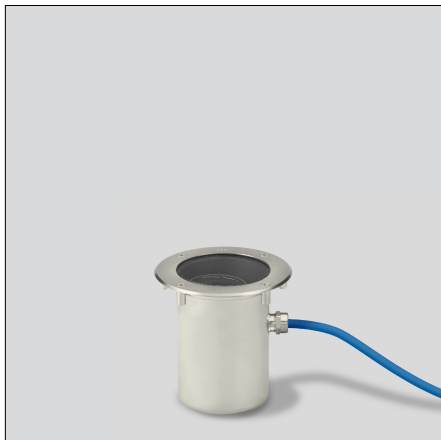
**BEGA****77 145**

In-ground luminaire



Project · Reference number

Date



## Product data sheet

**Application**

In-ground floodlight with swivel-mounted and rotatable LED optical system. Adjustable tilt angle of the reflector allows optionally a symmetrical or asymmetrical light distribution. Luminaire for installation in gravel, lawns, beds and compacted non-flammable surface. Drive-over luminaire for vehicles with pneumatic tyres.

**Please note:** Luminaire must not be used for installations in road lanes, where the fixture is exposed to a horizontal strain due to braking, acceleration and change of direction.

The minimum distance to illuminated objects above the light distribution opening must be  $\geq 0.5$  m.

We recommend skid-blocking glass for walk-over public areas – see accessories.

**Product description**

Luminaire made of stainless steel

Steel grade no. 1.4301

Clear safety glass

Silicone gasket

Reflector made of pure anodised aluminium

1,8 m water-resistant connecting cable

H07RN8-F 3G1,5<sup>2</sup> with implemented water stopper and 1.2 m PVC cable conduit

LED power supply unit

220-240 V  $\sim$  0/50-60 Hz

DC 176-264 V

Safety class I

Protection class IP 68 10 m

Dust-tight and water pressure tight

Maximum submersion depth 10 m

Pressure load 2,000 kg (20 kN)

Impact strength IK10

Protection against mechanical impacts < 20 joule

Maximum surface temperature 25 °C

(measured according to EN 60598 of  $t_a$  15 °C)

– Safety mark

– Conformity mark

Weight: 1.8 kg

**Lamp**

Module connected wattage 3 W

Luminaire connected wattage 4.1 W

Rated temperature  $t_a = 25$  °C

Ambient temperature  $t_{a\max} = 50$  °C

When installed in heat-insulating material  $t_{a\max} = 30$  °C

On request we can offer you modifications for environments with higher temperatures as a customized product.

**77 145 K4**

Module designation LED-0444/840

Colour temperature 4000 K

Colour rendering index CRI > 80

Module luminous flux 535 lm

Luminaire luminous flux 282 lm

Luminaire luminous efficiency 68,8 lm/W

**77 145 K3**

Module designation LED-0444/830

Colour temperature 3000 K

Colour rendering index CRI > 80

Module luminous flux 525 lm

Luminaire luminous flux 277 lm

Luminaire luminous efficiency 67,6 lm/W

**Lifetime of the LED**

Ambient temperature  $t_a = 25$  °C

– at 284,000h: L70B50

max. ambient temperature  $t_a = 50$  °C

– at 209,000h: L70B50

**Light technique**

In-ground floodlight with adjustable optical system.

Optical system 0-30° swivel-mounted

in 3° steps and  $\pm 180^\circ$  infinitely rotatable.

Narrow beam rotationally symmetrical light

distribution. Half beam angle 28°

For special lighting tasks it is possible to change the narrow beam light cone into a wide beam or flat beam light distribution by using diffuser lenses.

For wide beam light distribution:

Diffuser lens **10042**, half beam angle 43°

For flat beam light distribution:

Diffuser lens **10013**, half beam angle 28°/40°

Light cone  $\pm 90^\circ$  rotatable.

**Inrush current**

Inrush current: 7 A / 112  $\mu$ s

Maximum number of luminaires of this type per miniature circuit breaker:

B 10A: 38 luminaires

B 16A: 61 luminaires

C 10A: 64 luminaires

C 16A: 102 luminaires

**Article No. 77 145**

LED colour temperature optionally 4000K or 3000K

4000 K – Article number + **K4**

3000 K – Article number + **K3**

We supply this luminaire with skid-blocking glass which is denoted by **R** after the article number.

**Accessories**

**14000214R** Skid-blocking glass

BEGA skid-blocking glass with the highest

rating R 13 according to DIN 51130 can be

used without restriction for all public areas.

Abrasion resistance according to

EN ISO 10545-7 Class 3

**10042** Diffuser lens wide beam

**10013** Diffuser lens flat beam

**70693** Installation housing made of stainless steel

Distribution box for installation in soil

**70730** Distribution box with 7 cable entries

Connection terminals 5 x 4<sup>2</sup>

**71053** Distribution box with 10 cable entries

Connection terminals 6 x 16<sup>2</sup>

For the accessories a separate instructions for use can be provided upon request.

**Light distribution**