

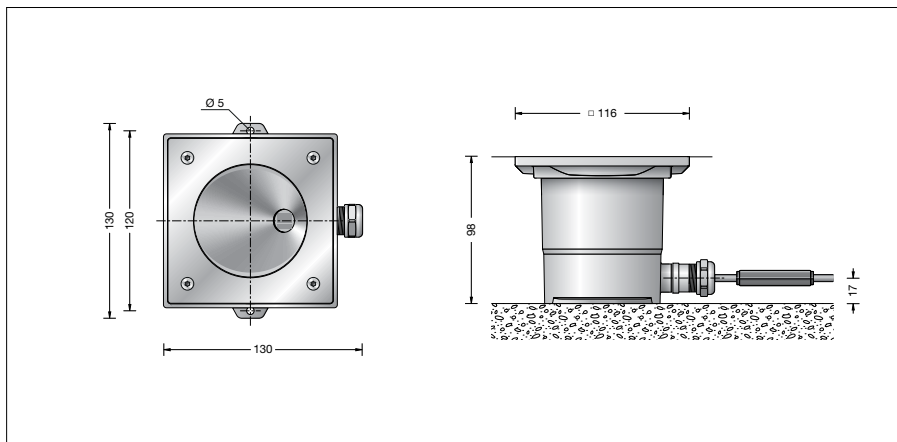
BEGA**77 119**

In-ground luminaire



Project · Reference number

Date



Product data sheet

Application

LED floodlight with asymmetrical light distribution for recessed mounting in compacted surfaces, paths and places.
Drive-over luminaire for vehicles with pneumatic tyres.

Please note:

Luminaire must not be used for installation in road lanes, where the fixture is exposed to a horizontal strain due to braking, acceleration and change of direction.

Product description

Cover ring Luminaire housing made of stainless steel and cast stainless steel
Steel grade number 1.4301
Clear safety glass
Silicone gasket
Reflector made of pure anodised aluminium
2 mounting holes \varnothing 5 mm
Distance apart 120 mm
1,8 m water-resistant connecting cable
05RN8-F 3 G 1[□] with implemented water stopper and 1.2 m PVC cable conduit
LED power supply unit
220-240 V \sim 0/50-60 Hz
Safety class I
Protection class IP 68 10 m
Dust-tight and water pressure tight
Maximum submersion depth 10 m
Pressure load 2,000 kg (20 kN)
Impact strength IK10
Protection against mechanical impacts < 20 joule
Maximum surface temperature 25 °C
(measured according to EN 60598 of t_a 15 °C)
 – Safety mark
CE – Conformity mark
Weight: 1.8 kg

Lamp

Module connected wattage 3 W
Luminaire connected wattage 4.5 W
Rated temperature $t_a = 25$ °C
Ambient temperature $t_{a,max} = 40$ °C

On request we can offer you modifications for environments with higher temperatures as a customized product.

77 119 K4

Module designation LED-0291/840
Colour temperature 4000 K
Colour rendering index CRI > 80
Module luminous flux 535 lm
Luminaire luminous flux 368 lm
Luminaire luminous efficiency 81,8 lm/W

77 119 K3

Module designation LED-0291/830
Colour temperature 3000 K
Colour rendering index CRI > 80
Module luminous flux 525 lm
Luminaire luminous flux 362 lm
Luminaire luminous efficiency 80,4 lm/W

Lifetime of the LED

Ambient temperature $t_a = 15$ °C
– at 50,000h: L90B10
– at > 500,000h: L70B50

Ambient temperature $t_a = 25$ °C
– at 50,000h: L90B10
– at > 500,000h: L70B50

max. ambient temperature $t_a = 40$ °C
– at 50,000h: L80B10
– at 269,000h: L70B50

Inrush current

Inrush current: 20 A / 170 μ s
Maximum number of luminaires of this type per miniature circuit breaker:
B 10A: 31 luminaires
B 16A: 50 luminaires
C 10A: 52 luminaires
C 16A: 85 luminaires

Lighting technology

Half beam angle 38/35°.
Luminaire data for the light planning program DIALux for outdoor lighting, street lighting and interior lighting as well as luminaire data in EULUMDAT and IES format are available on our website www.bega.com.

Article No. 77 119

LED colour temperature optionally 4000K or 3000K
4000 K – Article number
3000 K – Article number + **K3**

Accessories

70 730 Distribution box
The distribution box is meant for installation in the soil and allows a junction from the supply cable to the luminaire and through-wiring to the next luminaire.
After the electrical connection the distribution box is filled up with gel and closed.

Light distribution