

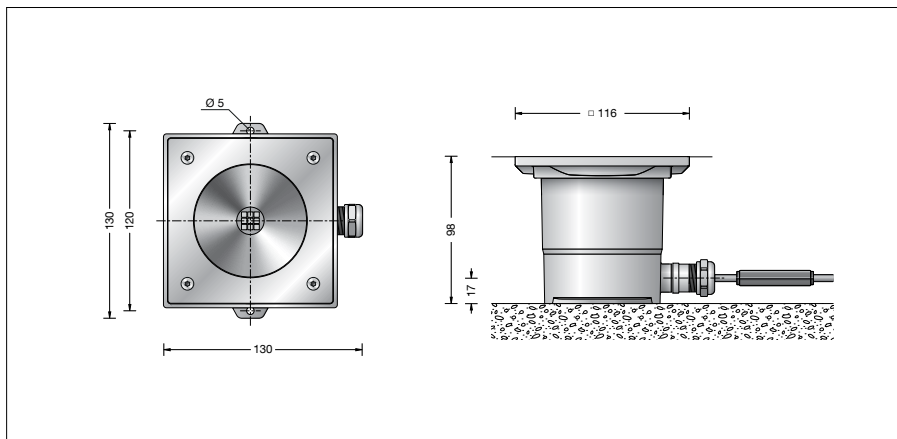
BEGA**77 118**

In-ground luminaire



Project · Reference number

Date



Product data sheet

Application

LED floodlight with symmetrical light distribution. For recessed mounting in compacted surfaces, paths and places. Drive-over luminaire for vehicles with pneumatic tyres.

Please note:

Luminaire must not be used for installation in road lanes, where the fixture is exposed to a horizontal strain due to braking, acceleration and change of direction.

Product description

Cover ring Luminaire housing made of stainless steel and cast stainless steel
Steel grade number 1.4301
Clear safety glass
Reflector made of pure anodised aluminium
2 mounting holes \varnothing 5 mm
Distance apart 120 mm
1,8 m water-resistant connecting cable
05RN8-F 3 G 1 \square with implemented water stopper and 1.2 m PVC cable conduit
LED power supply unit
220-240 V \sim 0/50-60 Hz
DC 176-264 V
Safety class I
Protection class IP 68 10 m
Dust-tight and water pressure tight
Maximum submersion depth 10 m
Not suitable for permanent operation under water
Pressure load 2,000 kg (20 kN)
Impact strength IK10
Protection against mechanical impacts < 20 joule
Maximum surface temperature 25 °C
(measured according to EN 60598 of t_a 15 °C)
 – Safety mark
CE – Conformity mark
Weight: 1.8 kg

Lamp

Module connected wattage 3 W
Luminaire connected wattage 4.1 W
Rated temperature $t_a = 25$ °C
Ambient temperature $t_{a \max} = 45$ °C
When installed in heat-insulating material $t_{a \max} = 30$ °C

On request we can offer you modifications for environments with higher temperatures as a customized product.

77 118 K4

Module designation LED-0291/840
Colour temperature 4000 K
Colour rendering index CRI > 80
Module luminous flux 565 lm
Luminaire luminous flux 370 lm
Luminaire luminous efficiency 90,2 lm/W

77 118 K3

Module designation LED-0291/830
Colour temperature 3000 K
Colour rendering index CRI > 80
Module luminous flux 550 lm
Luminaire luminous flux 359 lm
Luminaire luminous efficiency 87,6 lm/W

Service life of the LED

Ambient temperature $t_a = 25$ °C
– at 316,000h: L70B50

max. ambient temperature $t_a = 45$ °C
– at 232,000h: L70B50

Inrush current

Inrush current: 7 A / 112 μ s
Maximum number of luminaires of this type per miniature circuit breaker:
B 10A: 38 luminaires
B 16A: 61 luminaires
C 10A: 64 luminaires
C 16A: 102 luminaires

Lighting technology

Half beam angle 33°
Luminaire data for the light planning program DIALux for outdoor lighting, street lighting and interior lighting as well as luminaire data in EULUMDAT and IES format are available on our website www.bega.com.

Article No. 77 118

LED colour temperature optionally 4000 K or 3000 K
4000 K – Article number + **K4**
3000 K – Article number + **K3**

Accessories

70730 Distribution box
The distribution box is meant for installation in the soil and allows a junction from the supply cable to the luminaire and through-wiring to the next luminaire.
After the electrical connection the distribution box is filled up with gel and closed.

Light distribution