

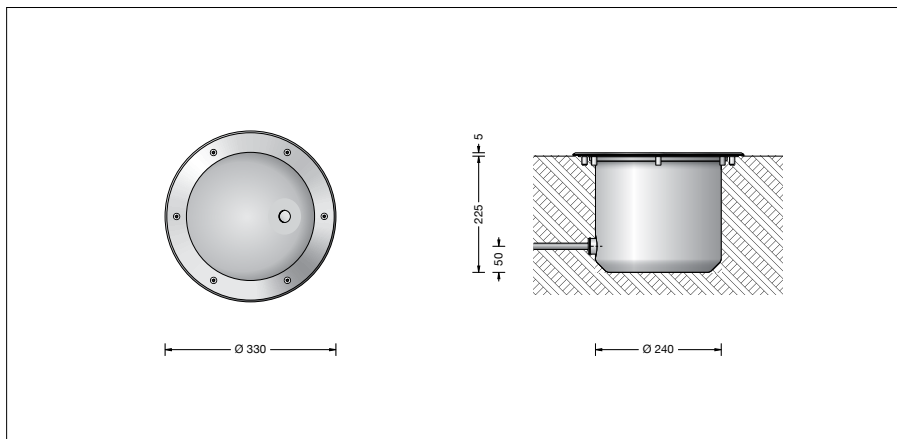
**BEGA****77 116**

In-ground luminaire



Project · Reference number

Date



## Product data sheet

### Application

LED Floodlight with asymmetrical light distribution. For embedding in gravel, lawns, flower beds, or in compacted surfaces. Drive-over luminaire for vehicles with pneumatic tyres.

#### Please note:

Luminaire must not be used for installation in road lanes, where the fixture is exposed to a horizontal strain due to braking, acceleration and change of direction.

For walk-through public areas, we recommend skid-blocking glass – see accessories.

### Product description

Luminaire made of stainless steel  
Steel grade no. 1.4301  
Clear safety glass  
Reflector made of pure anodised aluminium  
1,8 m water-resistant connecting cable  
07RN8-F 5G1<sup>□</sup> with implemented water stopper and 1.2 m PVC cable conduit  
LED power supply unit  
220-240 V ~ 0/50-60 Hz  
DC 170-276 V  
DALI controllable  
A basic isolation exists between power cable and control line  
BEGA Thermal Switch<sup>®</sup>  
Temporary thermal shutdown to protect temperature-sensitive components  
Safety class I  
Protection class IP 68 10 m  
Dust-tight and water pressure tight  
Maximum submersion depth 10 m  
Not suitable for permanent operation under water  
Pressure load 2,000 kg (~20 kN)  
Impact strength IK10  
Protection against mechanical impacts < 20 joule  
Maximum surface temperature 40 °C (measured according to EN 60598 of ta 15 °C)  
CE – Conformity mark  
10 – Safety mark  
Weight: 6.7 kg

### Lamp

Module connected wattage 35.7 W  
Luminaire connected wattage 39.7 W  
Rated temperature  $t_a = 25$  °C  
Ambient temperature  $t_{a \max} = 30$  °C

On request we can offer you modifications for environments with higher temperatures as a customized product.

#### 77 116 K4

Module designation LED-0785/840  
Colour temperature 4000 K  
Colour rendering index CRI > 80  
Module luminous flux 6165 lm  
Luminaire luminous flux 4075 lm  
Luminaire luminous efficiency 102,6 lm/W

#### 77 116 R K4

Module designation LED-0785/840  
Colour temperature 4000 K  
Colour rendering index CRI > 80  
Module luminous flux 6165 lm  
Luminaire luminous flux 2775 lm  
Luminaire luminous efficiency 69,9 lm/W

#### 77 116 K3

Module designation LED-0785/830  
Colour temperature 3000 K  
Colour rendering index CRI > 80  
Module luminous flux 6010 lm  
Luminaire luminous flux 3973 lm  
Luminaire luminous efficiency 100,1 lm/W

#### 77 116 R K3

Module designation LED-0785/830  
Colour temperature 3000 K  
Colour rendering index CRI > 80  
Module luminous flux 6010 lm  
Luminaire luminous flux 2651 lm  
Luminaire luminous efficiency 66,8 lm/W

### Service life · Ambient temperature

Rated temperature  $t_a = 25$  °C  
LED psu: > 50,000h  
LED module: 100,000h (L80B50)

Ambient temperature  $t_{a \max} = 30$  °C (100 %)  
LED psu: 50,000h  
LED module: 90,000h (L80B50)  
100,000h (L70B50)

### Inrush current

Inrush current: 20 A / 400 μs  
Maximum number of luminaires of this type per miniature circuit breaker:  
B 10A: 9 luminaires  
B 16A: 15 luminaires  
C 10A: 16 luminaires  
C 16A: 25 luminaires

### Lighting technology

Asymmetrical light distribution  
Half beam angle 23/24°  
Luminaire data for the light planning program DIALux for outdoor lighting, street lighting and indoor lighting, as well as luminaire data in EULUMDAT and IES format are available on the BEGA website at [www.bega.com](http://www.bega.com).

### Article No. 77 116

LED colour temperature optionally 4000K or 3000K  
4000 K – Article number + **K4**  
3000 K – Article number + **K3**

We supply this luminaire with skid-blocking glass which is denoted by **R** after the article number.

### Accessories

**14000233R** Skid-blocking glass  
BEGA skid-blocking glass with the highest rating R 13 according to DIN 51130 can be used without restriction for all public areas. Abrasion resistance according to EN ISO 10545-7 Class 3

**70 688** Installation housing made of stainless steel

Distribution box for installation in soil  
**70 730** Distribution box with 7 cable entries  
Connection terminals 5 x 4<sup>□</sup>

**71 053** Distribution box with 10 cable entries  
Connection terminals 6 x 16<sup>□</sup>

A separate instructions for use can be provided upon request.

### Light distribution

