

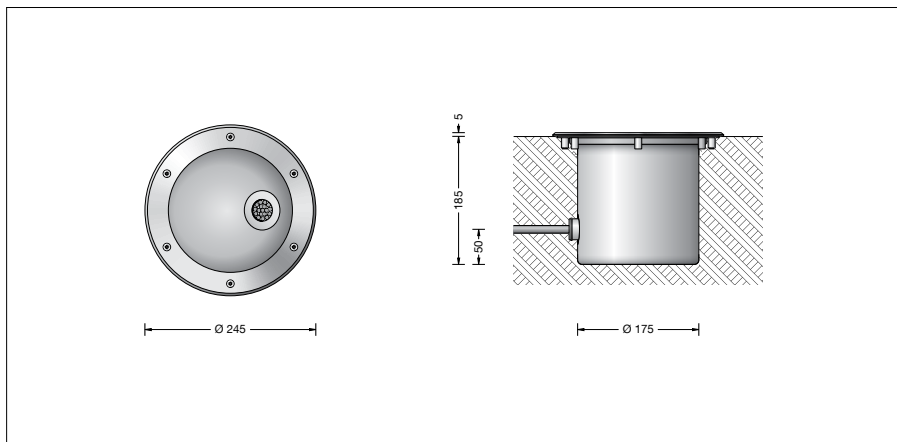
**BEGA****77 107**

In-ground luminaire



Project · Reference number

Date



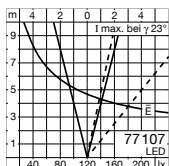
## Product data sheet

**Product description**

Luminaire made of stainless steel  
Steel grade no. 1.4301  
Clear safety glass  
Reflector made of pure anodised aluminium  
1,8 m water-resistant connecting cable  
07RN8-F 5G 1<sup>□</sup> with implemented water stopper and 1.2 m PVC cable conduit  
LED power supply unit  
220-240 V ~ 0/50-60 Hz  
DC 176-264 V  
DALI controllable  
A basic isolation exists between power cable and control line  
BEGA Thermal Control®  
Temporary thermal regulation to protect temperature-sensitive components without switching off the luminaire  
Safety class I  
Protection class IP 68 10 m  
Dust-tight and water pressure tight  
Maximum submersion depth 10 m  
Not suitable for permanent operation under water  
Pressure load 2,000 kg (~20 kN)  
Impact strength IK10  
Protection against mechanical impacts < 20 joule  
Maximum surface temperature 30 °C (measured according to EN 60598 of ta 15 °C)  
CE – Conformity mark  
10 – Safety mark  
Weight: 3.8 kg

**Lighting technology**

Half beam angle 30/32°  
Luminaire data for the light planning program DIALux for outdoor lighting, street lighting and interior lighting as well as luminaire data in EULUMDAT and IES format are available on our website [www.bega.com](http://www.bega.com).

**Light distribution****Application**

LED Floodlight with asymmetrical light distribution. For embedding in gravel, lawns, flower beds, or in compacted surfaces. Drive-over luminaire for vehicles with pneumatic tyres.

**Please note:**

Luminaire must not be used for installation in road lanes, where the fixture is exposed to a horizontal strain due to braking, acceleration and change of direction. For walk-through public areas, we recommend skid-blocking glass – see accessories.

**Lamp**

Module connected wattage	13.7 W
Luminaire connected wattage	16.3 W
Rated temperature	$t_a = 25\text{ °C}$
Ambient temperature	$t_{a\text{ max}} = 35\text{ °C}$

**77 107 K4**

Module designation	LED-0341/840
Colour temperature	4000 K
Colour rendering index	CRI > 80
Module luminous flux	2670 lm
Luminaire luminous flux	1994 lm
Luminaire luminous efficiency	122,3 lm/W

**77 107 R K4**

Module designation	LED-0341/840
Colour temperature	4000 K
Colour rendering index	CRI > 80
Module luminous flux	2670 lm
Luminaire luminous flux	1671 lm
Luminaire luminous efficiency	102,5 lm/W

**77 107 K3**

Module designation	LED-0341/830
Colour temperature	3000 K
Colour rendering index	CRI > 80
Module luminous flux	2600 lm
Luminaire luminous flux	1941 lm
Luminaire luminous efficiency	119,1 lm/W

**77 107 R K3**

Module designation	LED-0341/830
Colour temperature	3000 K
Colour rendering index	CRI > 80
Module luminous flux	2600 lm
Luminaire luminous flux	1590 lm
Luminaire luminous efficiency	97,5 lm/W

**Service life of the LED**

Ambient temperature  $t_a = 25\text{ °C}$   
– at 284,000 h: L70 B50

max. ambient temperature  $t_a = 35\text{ °C}$   
– at 155,000 h: L70 B50

Ambient temperature  $t_{a\text{ max}} = 50\text{ °C}$  (83 %)  
LED psu: 50,000 h  
LED module: 50,000 h

BEGA Thermal Control® protects temperature-sensitive luminaire components by temporarily limiting the nominal power at high temperatures.

**Inrush current**

Inrush current: 5 A / 100 μs  
Maximum number of luminaires of this type per miniature circuit breaker:  
B 10A: 56 luminaires  
B 16A: 90 luminaires  
C 10A: 56 luminaires  
C 16A: 90 luminaires

**Article No. 77 107**

LED colour temperature optionally 4000K or 3000K  
4000 K – Article number + **K4**  
3000 K – Article number + **K3**

We supply this luminaire with skid-blocking glass which is denoted by **R** after the article number.

**Accessories**

**14000225R** Skid-blocking glass  
BEGA skid-blocking glass with the highest rating R 13 according to DIN 51130 can be used without restriction for all public areas. Abrasion resistance according to EN ISO 10545-7 Class 3

**70 687** Installation housing

Distribution box for installation in soil  
**70 730** Distribution box with 7 cable entries  
Connection terminals 5 x 4<sup>□</sup>  
**71 053** Distribution box with 10 cable entries  
Connection terminals 6 x 16<sup>□</sup>

A separate instructions for use can be provided upon request.